

AM4120



UNIVERSAL PROCESSOR AMC BASED ON Freescale™ QorIQ™ TECHNOLOGY

- ▶ universal and cost effective solution
- ▶ low power consumption
- ▶ easy implementation

POSSIBILITIES START HERE



kontron

AM4120

UNIVERSAL COST EFFECTIVE PROCESSOR AMC MODULE

Universal

The AM4120 is a universal CPU board implemented as Single Mid-Size Advanced Mezzanine Card (AMC) for MicroTCA applications. The cost optimized design is based on the Freescale™ QorIQ™ P2020 Dual Core processor, based on e500 Power Architecture®. The features of the AM4120 grant reliability of the application, for example through redundant U-Boot. The persistent memory for cyclic data store work even when they are powered down.

Flexible

The AM4120 is a flexible solution. The 4x SERDES lines are routed to AMC ports 4 – 7, configurable either as PCIe (root complex or end point) or SRIO ports (host or agent), for those applications which require close programming to the chip without extensive overhead. As well flexibility is achieved through different options of booting the OS, either from the Micro SDHC card, the NOR or the NAND Flash (for rugged applications). The AM4120 supports up to 3 GbE channels: AMC port 0 + 2x Front or port 0,1 + 1x Front. Depending on the application, the AM4120 supports usage in systems with MCH or without MCH in order to reduce costs and speed up system development. Depending on application requirements the AM4120 is available with Freescale™ P2020 for regular and extended temperature range on project request.

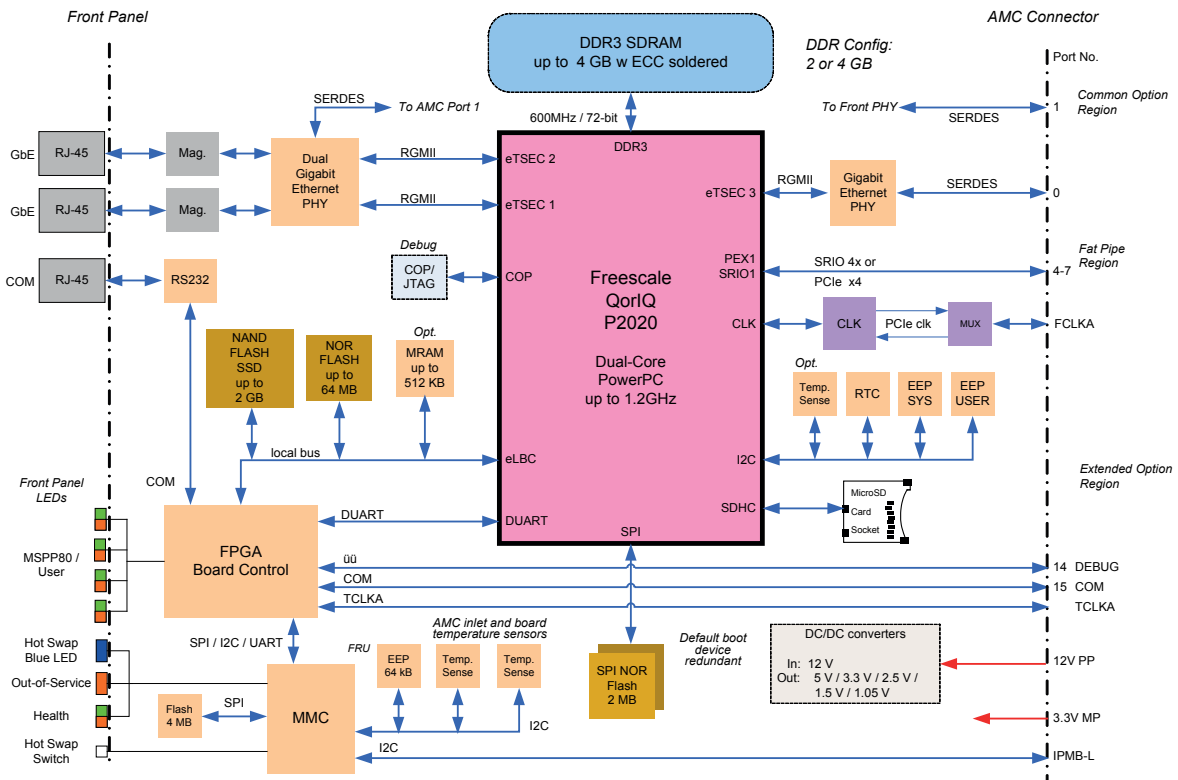
Longevity

The AM4120 meets highest demands regarding longevity due to a careful component selection and a Micro SDHC card socket to be not affected by regular flash discontinuation. This QorIQ™ processor module is therefore suitable for industrial automation, medical, networking, telecom and military applications.

AMC systems

Kontron also offers a choice of AMC systems for the AM4120. For instance the OM6060 can be used as entry level platform for operating the AM4120 with point to point fabrics PCIe and SRIO in combination with the AM4901 basic MCH which provides Ethernet connectivity to all AMC slots. In this system the AM4120 can be combined with I/O cards, DSP cards and different processor boards. The OM6120 provides multiple 10Gbit performance over SRIO for up to 12 AMCs in combination with the AM4904–SRIO MCH. This system also allows to switch PCIe fabrics in combination with AM4904–PCIe MCH. It can be operated with dual MCHs.

AM4120 SINGLE WIDTH PRAMC



► TECHNICAL INFORMATION

FORM FACTOR		Single width, mid-size module (full size on project request)
CPU AND PCH		2 GByte and 4 GByte RAM with ECC standard 2x 2 MByte SPI NOR (for Bootloader, fallback configuration) 1x 8 MByte NOR (for VxWorks) 128 kB persistent memory standard or not assembled, up to 512 kB on project request 1 GByte NAND Flash standard or not assembled, 2 GByte on project request MicroSD card socket
SYSTEM INTERCONNECTION		Port 0: 1x GbE Port 1: 1x GbE (routable to front plate, software selectable, default: port 1) Ports 4-7: sRIO or PCIe (DIP switch) Port 14: Debug Port15: COM2, 3.3 V TTL FCLKA: bidirectional PCIe clock configuration IPMB-L pins: Spec compliant IPMI Power supply: 3.3 V management power, 12 V payload power
FRONT PANEL INTERFACES		1x GbE 1x GbE (routable to Port 1, software selectable, default port 1) COM1, RS232 4x LEDs: control and status, bi-color (red/green LEDs) 3x LEDs: connected to MMC (healthy, hot swap, out of service)
MISCELLANEOUS		Watchdog, timeout 125 ms to 4096 s in 16 steps RTC (not buffered)
SOFTWARE		Bootloader U-Boot IPMI VxWorks 6.9 BSP Linux LTIB BSP
COMPLIANCY	MICROTCA PCI EXPRESS® AMC	PICMG MTCA.0 Micro Telecommunications Comp. Architecture R1.0 PCI Express® Base Specification Revision 1.0 PICMG AMC.0: Advanced Mezzanine Card Specification R2.0 PICMG AMC.1: PCI Express® and Advanced Switching R1.0 PICMG AMC.2: Gigabit Ethernet R1.0 PICMG AMC.4: Serial Rapid IO
	IPMI	IPMI Intelligent Platform Management Interface Spec. V2.0, 1.5
GENERAL	DIMENSIONS BOARD WEIGHT MTBF	181.5 x 73.5 mm ~280 g AM4120 311426 h MIL-HDBK-217 FN2 Ground Benign 30 °C AM4120 222859 h Bellcore Issue 6 Ground Benign 30 °C
	POWER SUPPLY POWER CONSUMPTION	12 V payload power, 3.3 V management power ~17 W
ENVIRONMENTAL	OPERATING TEMPERATURE	-5 °C to +55 °C Acc. IEC60068-2-1/2 Extended temperature version @1GHz on project request (-40 °C to +75 °C)
	HUMIDITY OPERATING	93 % RH at 40 °C, non condensing
	VIBRATION (SINUSOIDAL)	Acc. IEC60068-2-78 5 Hz to 150 Hz, 1 g Acc. to IEC 60068-2-6
	SHOCK	15 g / 11 ms Acc. to IEC 60068-2-27
	EMC	Immunity: acc. to EN 55024 and 61000-6-2 Emission: acc. to EN 55022, class B and FCC47, part 15, subpart B
	SAFETY	IEC 60950-1

▶ ORDERING INFORMATION

ARTICLE	DESCRIPTION
AM4120-SA-1.2D-4-M-N1-M128K	P2020 1.2 GHz dual core, 4 GByte RAM with ECC, 1 GByte NAND Flash, 128 kByte MRAM
AM4120-SA-1.2D-2-M	P2020 1.2 GHz dual core, 2 GByte RAM with ECC, 0 GByte NAND Flash, 0 kByte MRAM
VXW-BSP-AM4120-6.9	WindRiver VxWorks BSP

Note:

All AM4120 boards provide a microSD card socket.

Default delivery state:

- sRIO Host (8-bit) on AMC port 4-7

- GbE on AMC port 1 (i.e. only 1x GbE on front panel)

Rugged versions on project request:

- Extended shock/vibration resistance with specific front panel, acc. MicroTCA.1/XR2

- Extended temperature range with 1 GHz processor, -40 °C to +70 °C, acc. MicroTCA.1/XT1

▶ CORPORATE OFFICES

EUROPE, MIDDLE EAST & AFRICA

Lise-Meitner-Str. 3-5
86156 Augsburg
Germany
Tel.: + 49 821 4086 0
Fax: + 49 821 4086 111
info@kontron.com

NORTH AMERICA

14118 Stowe Drive
Poway, CA 92064-7147
USA
Tel.: + 1 888 294 4558
Fax: + 1 858 677 0898
info@us.kontron.com

ASIA PACIFIC

1-2F, 10 Building, No. 8 Liangshuihe 2nd Street,
Economical & Technological Development Zone,
Beijing, 100176, P.R.China
Tel.: +86 10 63751188
Fax: +86 10 83682438
info@kontron.cn