

» BEA-640-B5 «



400 Watt

- » Coated board
- » AC input cable holder
- » EMX filter for EN 60945

BEA-640-B5

400 Watt

The 400 W PC power supply BEA-640-B5 is distinguished by very high reliability and long service life. Within an ambient temperature range of -10 up to +50 °C full power can be supplied continuously without restrictions.

An AC input cable holder prevents accidental loosening of the AC input cable. Various mechanical protection features allow the BEA-640-B5 to be applied also under demanding environmental conditions involving shock and vibrations.

Technical Information

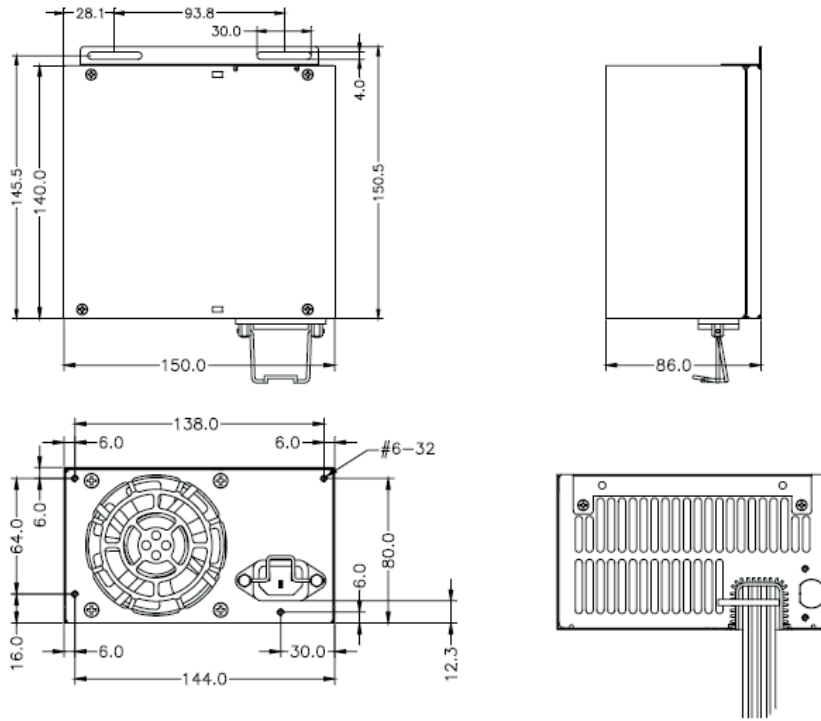
Input voltage	90 - 264 VAC, 120...380 V DC / active PFC
Input frequency	47 - 63 Hz
Input current	7 A (115 VAC) / 3.5 A (230 VAC)
Inrush current	49 (115 VAC) / 94 A (264 VAC)
Efficiency	49 (115 VAC) / 94 A (264 VAC)
Hold up time	>16 msec
Power-Good-Signal	Switch on delay 100...500 msec Switch off delay 1 msec
Protection	Short circuit protection: At every output, switch off / +5 Vsb, auto-recovery Overload protection: 110 - 150 %, switch off Overvoltage protection: +3.3 V (+3.9 - +4.3 V), +5 V (+5.7 - +6.5 V), +12 V (+13.6 - +15 V)
Insulation voltage	Input / Chassis 3100 V DC Input / Output 4242 V DC
Earth leakage current	<3.5 mA, 115 VAC / 230 VAC
Safety / EMC	CE
Operating temperature	-10°C to +70 °C
Derating	+50°C to +70 °C, 1 % / °C
MTBF	100 000 h at 50 °C, without fan
Storage temperature	-20°C to +80 °C
Operating humidity	10 - 90 % RH, non-condensing
Dimensions	150 x 140 x 86 mm ±0.5 mm
Weight (net)	2.1 kg

Ordering Information

Article No.	Output voltage	Output current min	Output current max	Load regulation	Ripple & Noise
BEA-640-B5	+3.3 V	0 A	28 A	±5 %	50 mV
	+5 V	0.5 A	35 A	±5 %	50 mV
	+12 V	1 A	30 A	+7/-5 %	120 mV
	-12 V	0 A	0.8 A	±10 %	150 mV
	-5 V	0 A	0.5 A	±10 %	150 mV
	+5 Vsb	0 A	2 A	±5 %	50 mV

Max. output is 400 W, combined max. output current at +3.3 V and +5 V must not exceed 45 A. Ripple and Noise was measured by a 20 MHz bandwidth limited oscilloscope with connected 220 µF electrolytic capacitor and 0.1 µF ceramic capacitor at each output. During a cross regulation test we recommend to keep the channel with higher output load at 80 % of its max. power and the channel with lower output load at 20 % of its max. power. As a power component this PSU is for assembly purposes only and must not be operated in unassembled condition. The final assembly has to comply with the valid EMC and safety standards.

Drawing BEA-640-B5



Tolerance ±0.5mm



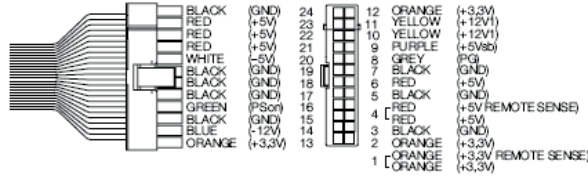
CABLE HARNLESS BEA-640-B5

P4, 550 mm



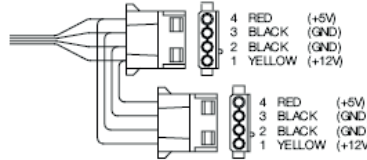
ATX/EPS, 500 mm

20+4 pin



SATA, 450 mm

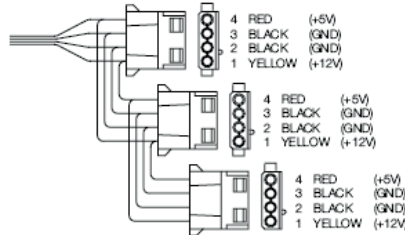
SATA, 200 mm



HD, 430 mm

HD, 150 mm

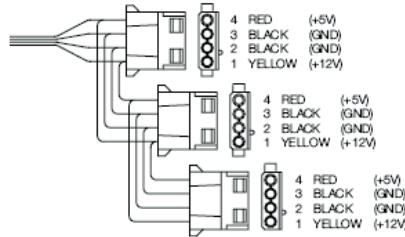
HD, 150 mm



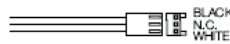
HD, 400 mm

HD, 150 mm

FDD, 150 mm



Lüfterüberwachung, 580 mm

Tolerance ± 20 mm

CORPORATE OFFICES

Europe, Middle East & Africa

Lise-Meitner-Str. 3-5
86156 Augsburg
Germany

Tel.: +49 (0) 821 4086-0
Fax: +49 (0) 821 4086 111
sales@kontron.com

North America

14118 Stowe Drive
Poway, CA 92064-7147
USA

Tel.: +1 888 294 4558
Fax: +1 858 677 0898
info@us.kontron.com

Asia Pacific

17 Building, Block #1, ABP.
188 Southern West 4th Ring Road
Beijing 100070, P.R.China

Tel.: +86 10 63751188
Fax: +86 10 83682438
info@kontron.cn