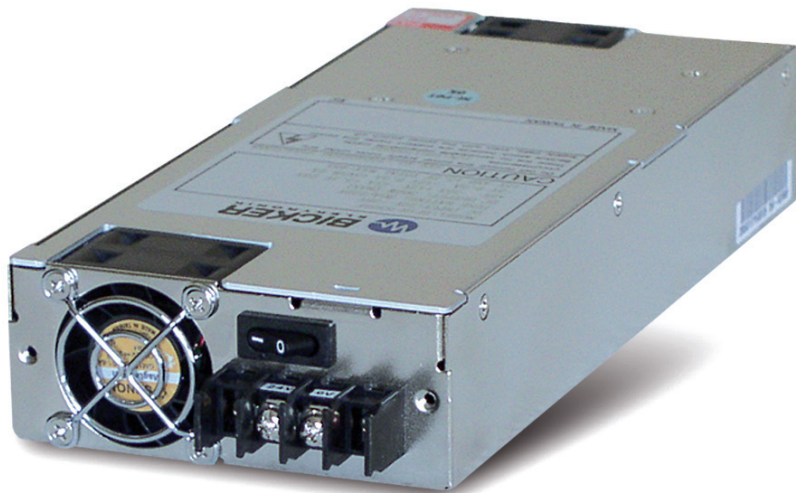


» BEH-630C «



300 Watt

- » +24 VDC input
- » +3.3 V and +5 V sense line
- » Ball-bearing fan

BEH-630C

300 Watt

By its +24 V DC input the 300 W ATX power supply BEH-630C is the ideal power supply for computer systems used in automation or mobile systems. Due to its widerange input from 18 to 36 V DC it remains unaffected by input voltage fluctuations.

The BEH-630C is designed for an operating ambient temperature range of -10 up to +50 °C. Thanks to the softstart function the BEH-630C does require no higher inrush current as compared to normal operation.

Technical Information

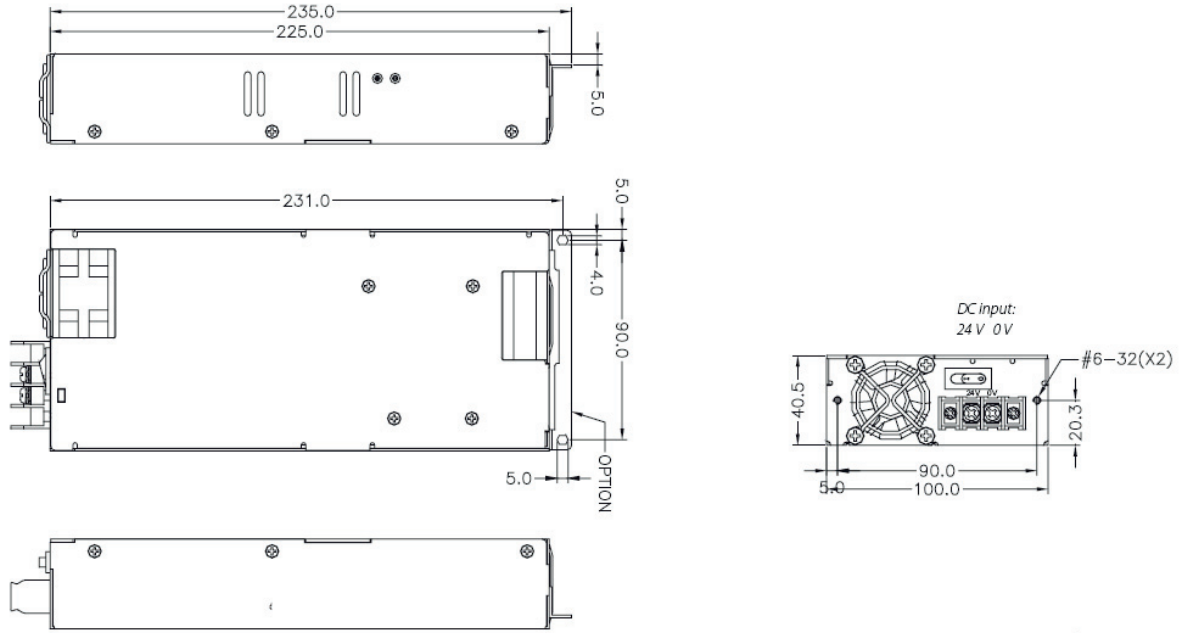
Input voltage	+24 VDC (18 - 36 V)
Input current	20 A max. (24 V DC), full load
Inrush current	<10 A (softstart function)
Efficiency	≥65 %
Hold up time	>1.6 msec
Power-Good-Signal	Switch on delay 100 - 500 msec
Protection	Short circuit protection: +3.3 V, +5 V, +12 V, switch off/-5 V, -12 V, +5 Vsb, auto-recovery Overload protection: 110 - 150 %, switch off Overvoltage protection: +3.3 V (+3.9 - +5 V), +5 V (+5.5 - +6.5 V), +12 V (+13 - +15 V)
Insulation voltage	Input / Chassis 1500 V AC Input / Output 1500 V AC
Operating temperature	-10°C to +50 °C
MTBF	87 000 h at +25 °C and with fan (MIL-HDBK-217F)
Storage temperature	-20 to +80 °C
Operating humidity	20 - 80 % RH, non-condensing
Dimensions	225 x 100 x 40.5 mm ±0.5 mm
Weight (net)	1.4 kg

Ordering Information

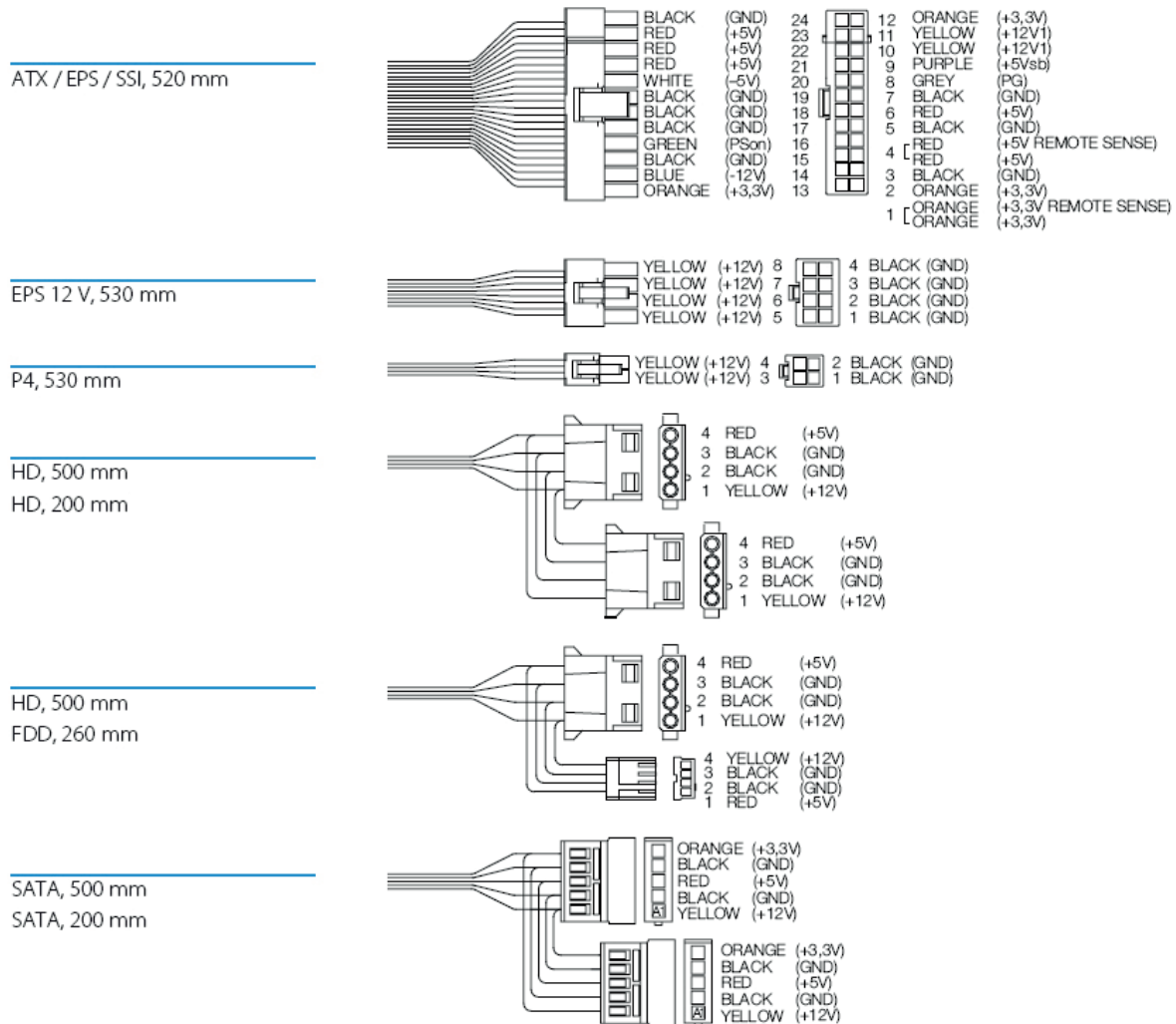
Article No.	Output voltage	Output current min	Output current max	Load regulation	Ripple & Noise
BEH-630C	+3.3 V	1 A	20 A	±5 %	50 mV
	+5 V	1 A	35 A	±5 %	50 mV
	+12 V	1 A	22 A	±5 %	120 mV
	-12 V	0.1 A	0.5 A	±5 %	150 mV
	-5 V	0.1 A	0.5 A	±10 %	120 mV
	+5 Vsb	0.1 A	2 A	±5 %	50 mV

Max. output power is 300 W, combined output current at +3.3 V and +5 V must not exceed 40 A. Ripple and Noise was measured by a 20 MHz bandwidth limited oscilloscope with connected 22 µF tantalum capacitor and 0.1 µF ceramic capacitor at each output. For keeping the conducted interference according to EN55022 (in case of connection to a low voltage mains supply) an additional input filter may be required. As a power component this PSU is for assembly purposes only and must not be operated in unassembled condition. The final assembly has to comply with the valid EMC and safety standards.

Drawing BEH-630C

Tolerance ± 0.5 mm

Cable harness BEH-630C



CORPORATE OFFICES

Europe, Middle East & Africa

Lise-Meitner-Str. 3-5
86156 Augsburg
Germany

Tel.: +49 (0) 821 4086-0
Fax: +49 (0) 821 4086 111
sales@kontron.com

North America

14118 Stowe Drive
Poway, CA 92064-7147
USA

Tel.: +1 888 294 4558
Fax: +1 858 677 0898
info@us.kontron.com

Asia Pacific

17 Building, Block #1, ABP.
188 Southern West 4th Ring Road
Beijing 100070, P.R.China

Tel.: +86 10 63751188
Fax: +86 10 83682438
info@kontron.cn