

# » BES-540T «



## 400 Watt

- » – 48 V DC input
- » TÜV and UL approved
- » High efficiency >80 %

## BES-540T

### 400 Watt

The DC PC power supply BES-540T has been designed for use in industry, telecom and transport. Thanks to its broad input voltage range of -36 to -72 V DC it can be supplied via - 48 V DC as well as - 60 V DC power networks.

With a high output power load of +12 V DC it is capable of safely supplying the necessary power for high-performance graphic applications. The fan on roller bearing is temperature controlled and provides a tachometer signal for monitoring.

#### Technical Information

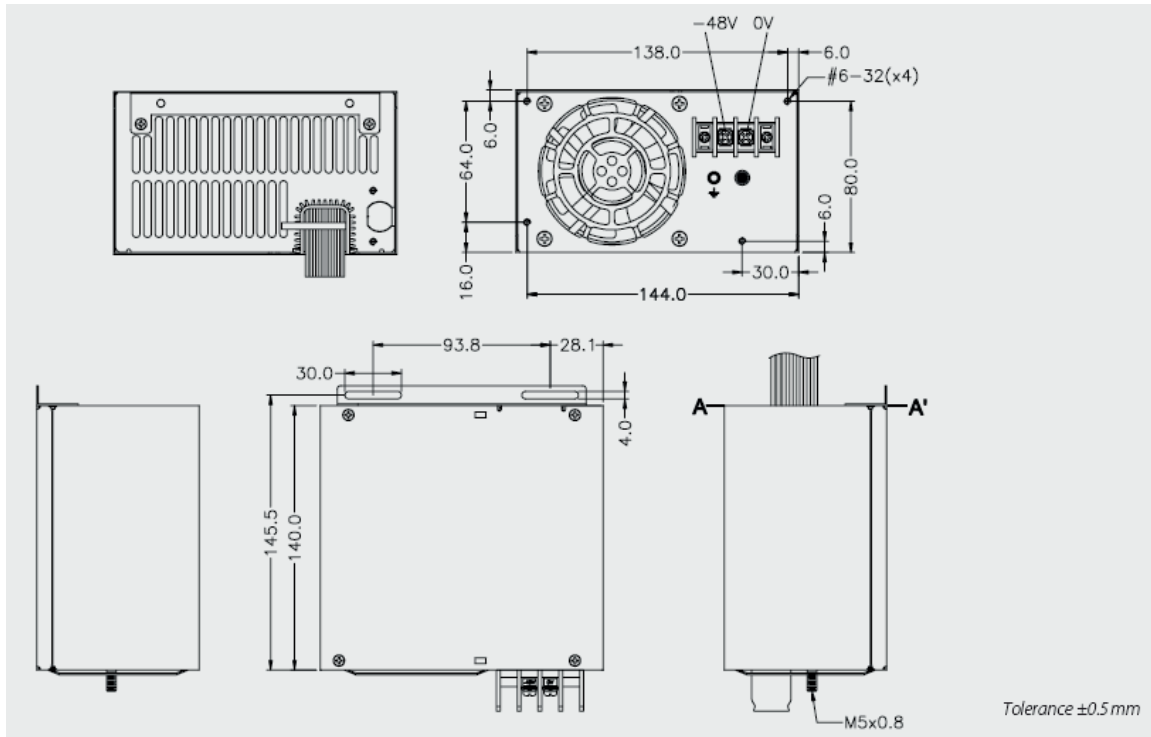
<b>Input voltage</b>	-48 VDC (-36 to -72 V)
<b>Input current</b>	11 A max. at -48 VDC
<b>Inrush current</b>	<50 A (-48 V DC / 25 °C)
<b>Efficiency</b>	>80 % at full load
<b>Hold up time</b>	App. 1 ms
<b>Power-Good-Signal</b>	Switch on delay 100 - 500 ms
<b>Protection</b>	Short circuit protection: Switch off with auto recovery Inverse polarity protection input: existing Overvoltage protection: +3.3 V (+3.6 to +4.3 V), +5 V (+5.6 to +6.5 V), +12 V (+13.2 to +15 V), switch off
<b>Safety / EMC</b>	CE, EN 60950-1, UL 60950-1
<b>Operating temperature</b>	0°C to +70 °C, startable from -20 °C
<b>Derating</b>	+40°C to +70 °C 1 % / K
<b>MTBF</b>	119 000 h at 50 °C with fan
<b>Storage temperature</b>	-20°C to +80 °C
<b>Operating humidity</b>	20 - 85 % RH, non-condensing
<b>Dimensions</b>	150 x 140 x 86 mm ±0.5 mm
<b>Weight (net)</b>	1.65 kg

#### Ordering Information

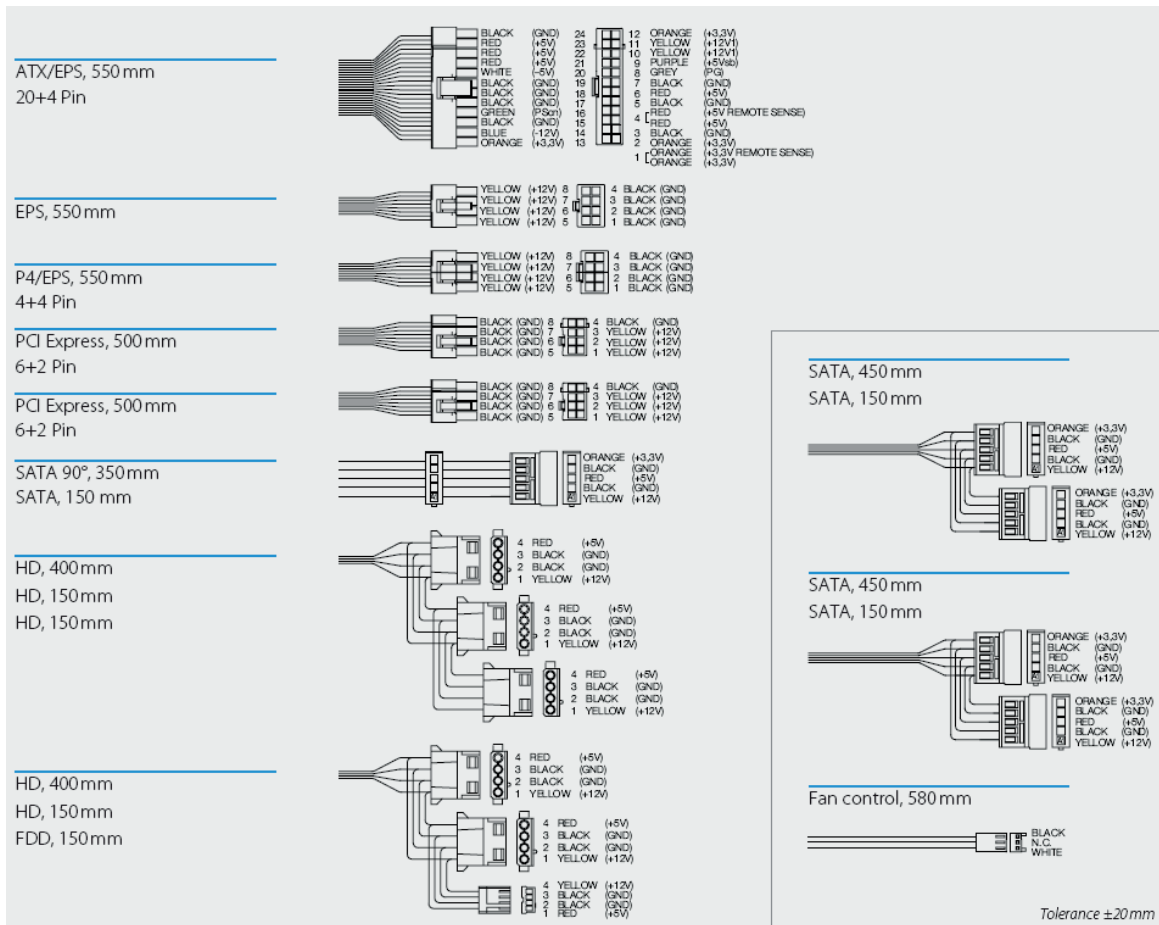
Article No.	Output voltage	Output current min	Output current max	Load regulation	Line regulation	Cross regulation	Ripple & Noise
BES-540T	+3.3 V	0.5 A	25 A	±5 %	±1 %	±5 %	50 mV
	+5 V	1 A	25 A	±5 %	±1 %	±5 %	50 mV
	+12 V	2 A	32 A	±5 %	±1 %	±5 %	120 mV
	-12 V	0 A	0.8 A	±10 %	±1 %	±5 %	150 mV
	+5 Vsb	0.1 A	3.5 A	±5 %	±1 %	±5 %	50 mV

Max. output power is 400 W, combined max. output power at +3.3 V and +5 V is 40 A. Ripple and Noise was measured by a 20 MHz bandwidth limited oscilloscope with connected 220 µF electrolytic capacitor and 100 nF ceramic capacitor at each output. As a power component this PSU is for assembly purposes only and must not be operated in unassembled condition. The final assembly has to comply with the valid EMC and safety standards.

## Drawing BES-540T



## Cable harness BES-540T



## CORPORATE OFFICES

## Europe, Middle East &amp; Africa

Lise-Meitner-Str. 3-5  
86156 Augsburg  
Germany

Tel.: +49 (0) 821 4086-0  
Fax: +49 (0) 821 4086 111  
sales@kontron.com

## North America

14118 Stowe Drive  
Poway, CA 92064-7147  
USA

Tel.: +1 888 294 4558  
Fax: +1 858 677 0898  
info@us.kontron.com

## Asia Pacific

17 Building, Block #1, ABP.  
188 Southern West 4th Ring Road  
Beijing 100070, P.R.China

Tel.: +86 10 63751188  
Fax: +86 10 83682438  
info@kontron.cn