

» BES-640P «



400 Watt

- » 120 V DC input
- » Temperature-controlled ball-bearing fan
- » Powerful 25 A at 12 V

BES-640P

400 Watt

The DC PC PSU BES-640P provides a 120 V DC input in order to supply computer systems for industrial applications or in mobile systems. Due to its wide input voltage range from 90 to 144 VDC this PSU remains

unaffected by input voltage fluctuations. By its powerful performance of 30 A at the +12 V output the BES-640P is also the perfect choice for demanding Intel Pentium P4 systems.

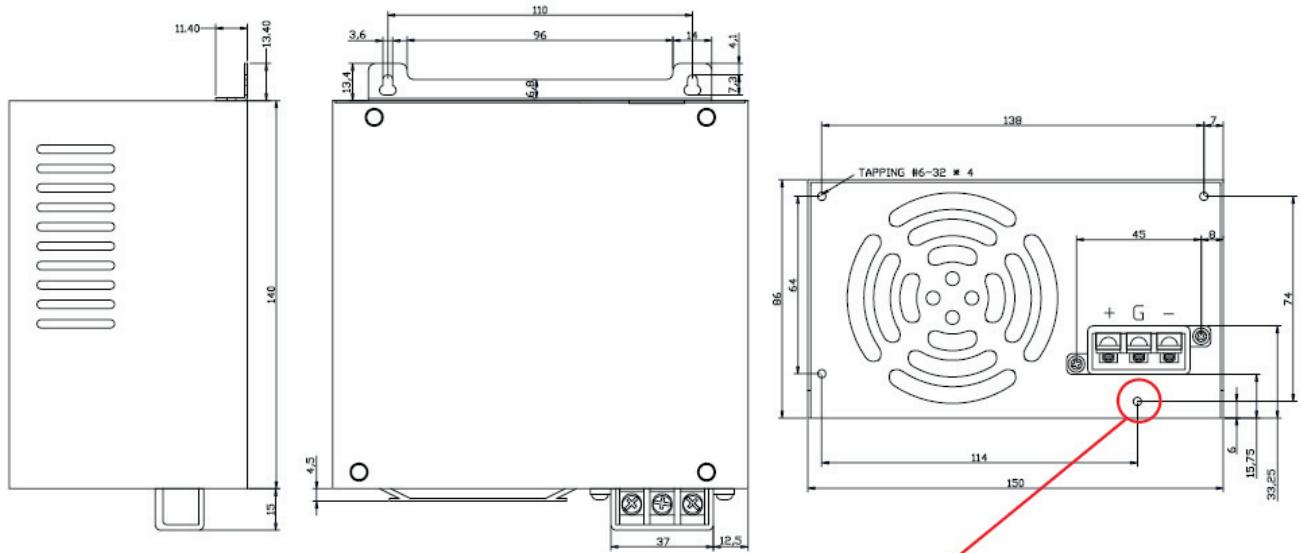
Technical Information

Input voltage	90 - 144 VDC
Input current	6 A max.
Efficiency	>70 %
Power-Good-Signal	Switch on delay 100 - 500 ms
Protection	Short circuit protection: Switch off with auto-recovery Inverse polarity protection input: existing Overvoltage protection: +3.3 V (+3.9 - +4.1 V), +5 V (+6.1 - +6.5 V), +12 V (+13.8 - +14.8 V), Switch off
Operating temperature	0°C to +50 °C
Storage temperature	-20°C to +80 °C
Operating humidity	20 - 85 % RH, non-condensing
Dimensions	150 x 140 x 86 mm ±0.5 mm
Weight (net)	1.65 kg
Product specific data	
Max. operating height	10 000 feet above sea level

Ordering Information

Article No.	Output voltage	Output current min	Output current max	Load regulation	Line regulation	Cross regulation	Ripple & Noise
BES-640P	+3.3 V	0 A	20 A	±5 %	±1 %	±5 %	50 mV
	+5 V	2 A	50 A	±5 %	±1 %	±5 %	50 mV
	+12 V	1 A	25 A	±5 %	±1 %	±5 %	120 mV
	-12 V	0 A	1 A	±8 %	±1 %	±5 %	150 mV
	-5 V	0 A	1 A	±5 %	±1 %	±5 %	120 mV
	+5 Vsb	0 A	3 A	±5 %	±1 %	±5 %	50 mV

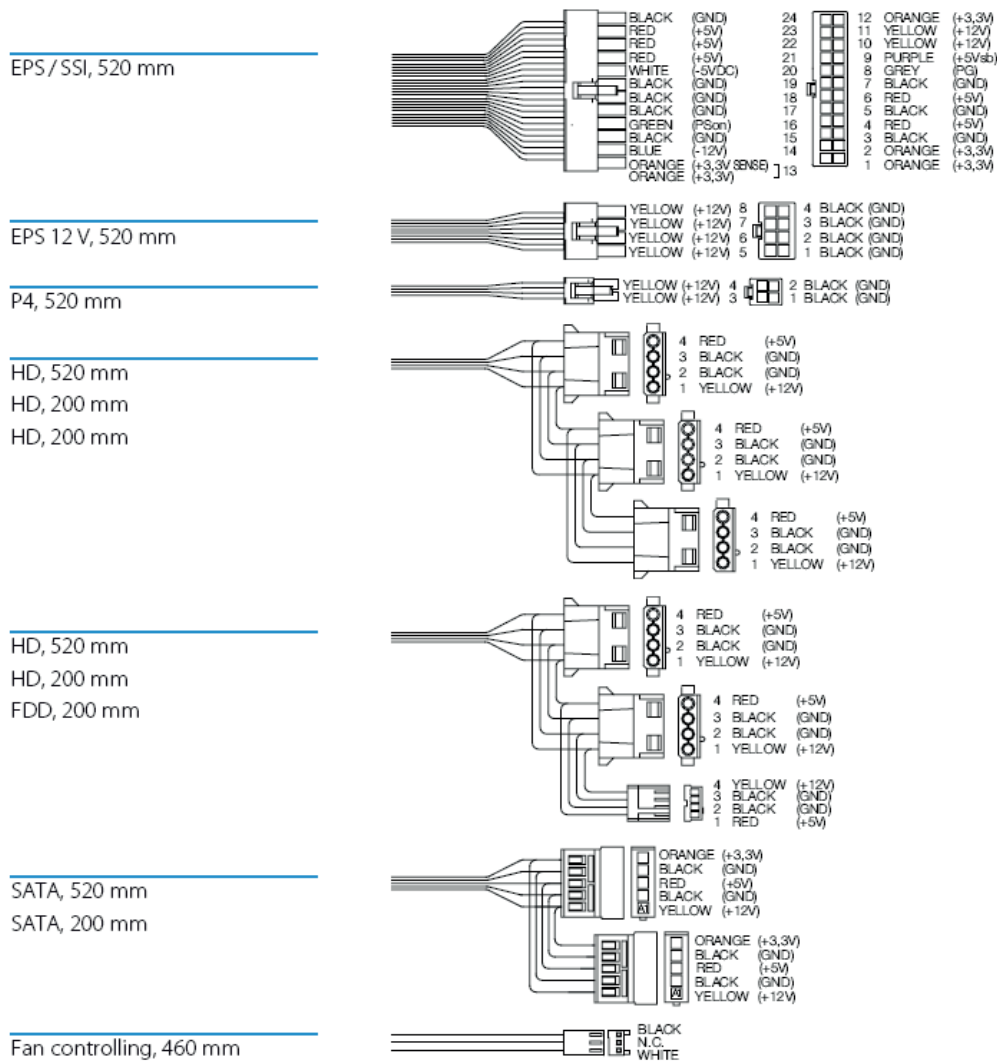
Drawing BES-640P



Max. screw length 4.76 mm for installation in PC housing (calculated for 0.8 mm sheet thickness).

Tolerance ± 0.5 mm

CABLE HARNLESS BES-640P



CORPORATE OFFICES

Europe, Middle East & Africa

Lise-Meitner-Str. 3-5
86156 Augsburg
Germany

Tel.: +49 (0) 821 4086-0
Fax: +49 (0) 821 4086 111
sales@kontron.com

North America

14118 Stowe Drive
Poway, CA 92064-7147
USA

Tel.: +1 888 294 4558
Fax: +1 858 677 0898
info@us.kontron.com

Asia Pacific

17 Building,Block #1, ABP.
188 Southern West 4th Ring Road
Beijing 100070, P.R.China

Tel.: +86 10 63751188
Fax: +86 10 83682438
info@kontron.cn