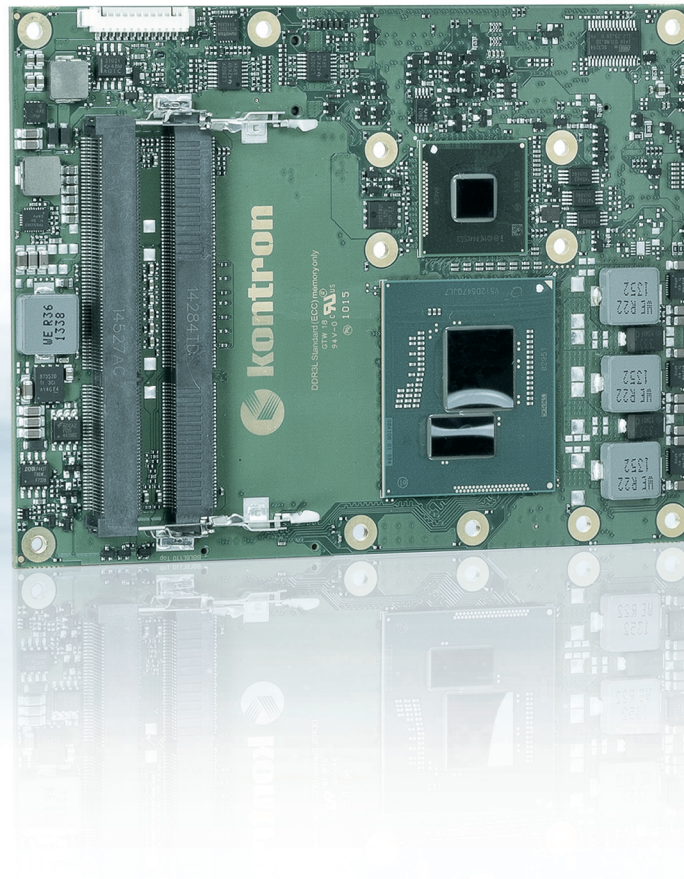


COMe-bBL6RXT



COM Express® BASIC TYPE 6 WITH 5th GENERATION Intel® Core™ / Xeon® PROCESSORS

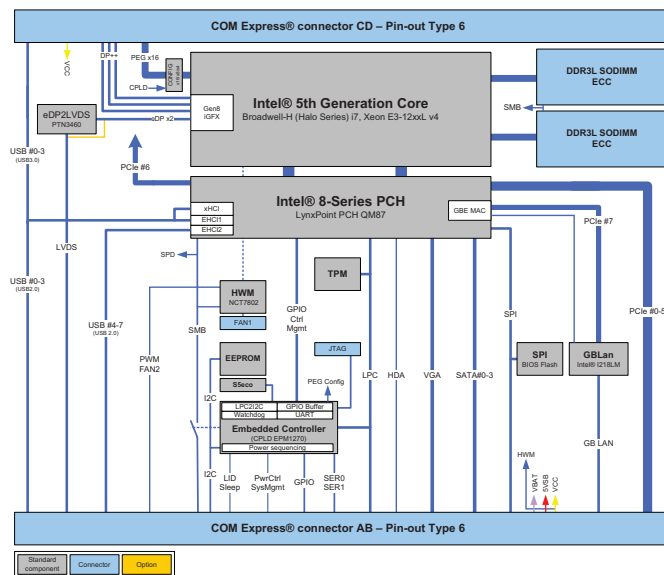
- ▶ Intel® 5th Generation Core™ i7 and Intel® Xeon® E3-12xx series with QM87
- ▶ ECC DDR3L, rapid shutdown, industrial temperature grade
- ▶ triple independent display support with 4k resolutions

POSSIBILITIES START HERE



TECHNICAL INFORMATION

COMPLIANCE	COM Express® basic, Pin-out Type 6
DIMENSIONS (H X W)	125 x 95 mm
CPU	Intel® Core™ i7-5850EQ, Intel® Core™ i7-5700EQ, Intel® Xeon® E3-1278L v4, Intel® Xeon® E3-1258L v4
CHIPSET	Intel® Mobile QM87
MAIN MEMORY	2x ECC DDR3L-1600 SO-DIMM up to 2x 16 GByte
GRAPHICS CONTROLLER	Intel® Iris™ Pro Graphics P6300/6200 (GT3e), Intel® HD Graphics P5700/5600 (GT2)
ETHERNET CONTROLLER	Intel® I218LM
ETHERNET	10/100/1000 MBit Ethernet
HARD DISK	QM87: 3x SATA 6Gb/s, 1x SATA 3Gb/s
FLASH ONBOARD	-
PCI EXPRESS® SUPPORT	7x PCIe x1, 1x PEG x16
PANEL SIGNAL	DDI1: DP++, DDI2: DP++, DDI3: DP++, VGA: Yes, LVDS: Dual Channel 18/24bit
USB	4x USB 3.0 (incl. USB 2.0) + 4x USB 2.0
SERIAL	2x serial interface (RX/TX only)
AUDIO	Intel® High Definition Audio
COMMON FEATURES	SPI, LPC, SMB, Fast I ² C, Staged Watchdog, RTC, MARS
BIOS	Phoenix Secure Core UEFI
HUMIDITY	93 % relative Humidity at 40 °C, non-condensing (according to IEC 60068-2-78)
OPTIONS	1x PCIe x1 additional w/o onboard LAN, vPRO (AMT/TXT/AES Support), eDP instead of LVDS
POWER MANAGEMENT	ACPI 4.0, S5 Eco
POWER SUPPLY	ATX or 12 V Single Supply Power
SPECIAL FEATURES	POSCAP capacitors, Trusted Platform Module TPM 1.2, 4k Resolutions, Flexible PEG lane configuration by Setup Option, Rapid shutdown
OPERATING SYSTEM	Windows® 10, Windows® 8, Windows® 7, WE85, WES7, Linux, VxWorks
TEMPERATURE	Industrial temperature: -40 °C to +85 °C operating, -40 °C to +85 °C non-operating



CORPORATE OFFICES

EUROPE, MIDDLE EAST & AFRICA

Lise-Meitner-Str. 3-5
86156 Augsburg
Germany
Tel.: + 49 821 4086 0
Fax: + 49 821 4086 111
sales@kontron.com

NORTH AMERICA

14118 Stowe Drive
Poway, CA 92064-7147
USA
Tel.: + 1 888 294 4558
Fax: + 1 858 677 0898
info@us.kontron.com

ASIA PACIFIC

17 Building, Block #1, ABP
188 Southern West 4th Ring Road
Beijing 100070, P.R.China
Tel.: + 86 10 63751188
Fax: + 86 10 83682438
info@kontron.cn