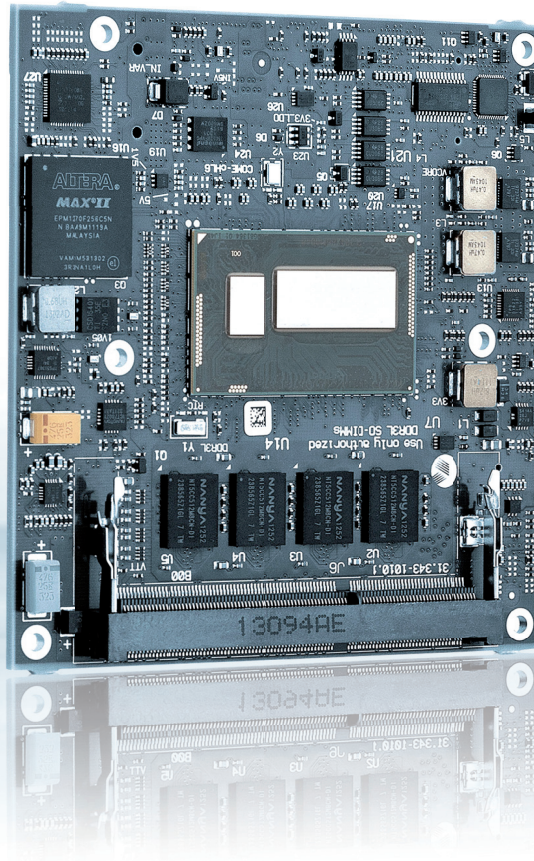


COMe-cBL6



COM EXPRESS® COMPACT TYPE 6 WITH 5TH GENERATION Intel® Core™ PROCESSORS

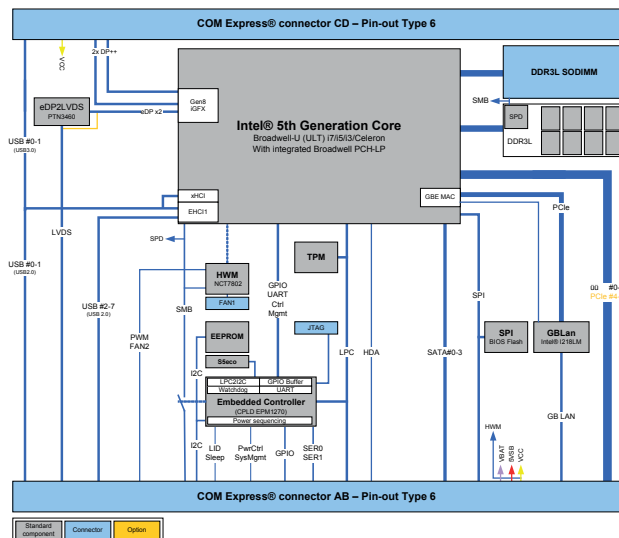
- ▶ Intel® 5th Generation Core™ i7/i5/i3/Celeron ULT series
- ▶ up to 16 GByte DDR3L with 1x memory down + 1x SODIMM
- ▶ 3 independent display outputs (2x DP++ & Dual Channel LVDS)

POSSIBILITIES START HERE



TECHNICAL INFORMATION

COMPLIANCE	COM Express® compact, Pin-out Type 6
DIMENSIONS (H X W X D)	95 x 95 mm
CPU	Intel® Core™ i7-5650U (2x 2.20 GHz, GT3, 15 W), Intel® Core™ i5-5350U (2x 1.80 GHz, GT3, 15 W) Intel® Core™ i3-5010U (2x 2.10 GHz, GT2, 15 W), Intel® Celeron® 3765 (2x 1.90 GHz, GT1, 15 W)
CHIPSET	-
MAIN MEMORY	1x DDR3L-1866 SO-DIMM up to 8 GByte, 1x DDR3L-1600 memory down up to 8 GByte
GRAPHICS CONTROLLER	Intel® HD6000 (GT3), Intel® HD5500 (GT2), Intel® HD Graphics (GT1)
ETHERNET CONTROLLER	Intel® I218LM
ETHERNET	10/100/1000 MBit Ethernet
HARD DISK	up to 4x SATA 6 Gb/s
FLASH ONBOARD	-
PCI EXPRESS® / PCI SUPPORT	4x PCIe Gen 2.0
PANEL SIGNAL	DDI1: DP++, DDI2: DP++, DDI3: -, VGA: -, LVDS: Dual Channel 18/24bit
USB	2x USB 3.0 (incl. USB 2.0), 6x USB 2.0
SERIAL	2x serial interface (RX/TX only)
AUDIO	Intel® High Definition Audio
COMMON FEATURES	SPI, LPC, SMB, Fast I ² C, Staged Watchdog, RTC, MARS
BIOS	Phoenix Secure Core UEFI
HUMIDITY	93 % relative Humidity at 40° C, non-condensing (according to IEC 60068-2-78)
OPTIONS	1x PCIe x4 additional w/o onboard LAN, eDP instead of LVDS, vPRO (AMT/TXT/AES Support)
POWER MANAGEMENT	ACPI 4.0, S5 Eco
POWER SUPPLY	8.5 V – 20 V Wide Range, Single Supply Power
SPECIAL FEATURES	POSCAP capacitors, Trusted Platform Module TPM 1.2, 4k Resolutions
OPERATING SYSTEM	Windows® 8, Windows® 7, WE85, WE18, WE57, Linux, VxWorks
TEMPERATURE	Commercial temperature: 0° C to +60° C operating, -30° C to +85° C non-operating -25° C to +75° C operating, -30° C to +85° C non-operating
SUPPORTED MODULES	36019-xxxx-xx-x: COMe-cBL6, commercial temperature 36019-xxxx-xx-xEXT: COMe-cBL6, extended temperature



CORPORATE OFFICES

EUROPE, MIDDLE EAST & AFRICA

Lise-Meitner-Str. 3-5
 86156 Augsburg
 Germany
 Tel.: + 49 821 4086 0
 Fax: + 49 821 4086 111
 sales@kontron.com

NORTH AMERICA

14118 Stowe Drive
 Poway, CA 92064-7147
 USA
 Tel.: + 1 888 294 4558
 Fax: + 1 858 677 0898
 info@us.kontron.com

ASIA PACIFIC

17 Building, Block #1, ABP
 188 Southern West 4th Ring Road
 Beijing 100070, P.R.China
 Tel.: + 86 10 63751188
 Fax: + 86 10 83682438
 info@kontron.cn