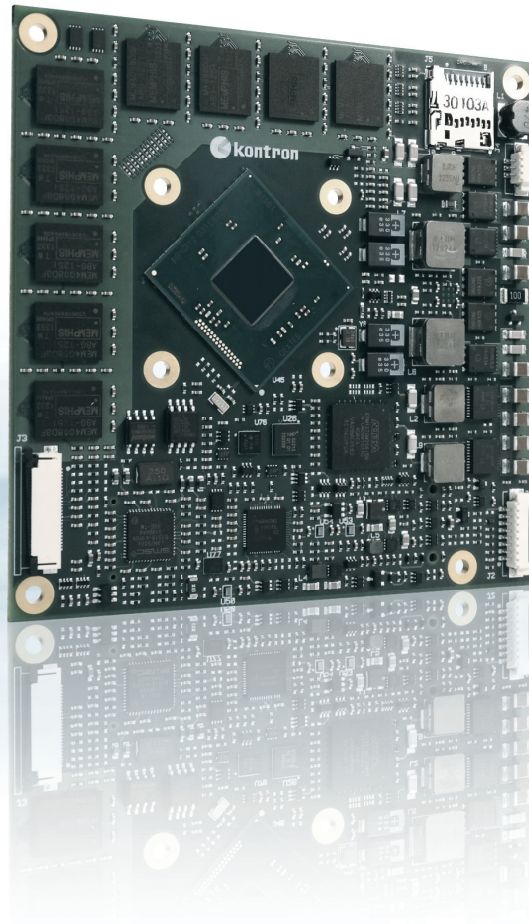


# COMe-cBTi6R

---



## COM EXPRESS® COMPACT TYPE 6 WITH INTEL® ATOM™ E3800 SERIES

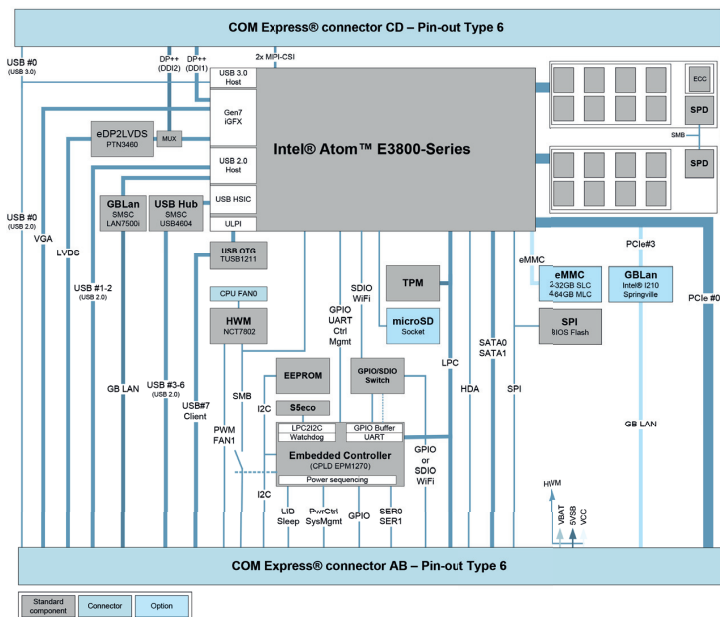
- ▶ Intel® Atom™ E3800 series
- ▶ up to 4 GB DDR3L ECC or 8 GB DDR3L non-ECC memory down
- ▶ 7x USB 2.0, 1x USB 3.0, eMMC Flash, 2x SATA, 4x PCIe
- ▶ industrial grade temperature, rapid shutdown support

POSSIBILITIES START HERE



## TECHNICAL INFORMATION

COMPLIANCE	COM Express® compact, Pin-out Type 6
DIMENSIONS (H X W X D)	95 x 95 mm
CPU	Intel® Atom™ E3845, Intel® Atom™ E3827, Intel® Atom™ E3826, Intel® Atom™ E3825, Intel® Atom™ E3815
CHIPSET	-
MAIN MEMORY	2x DDR3L-1333 ECC memory down up to 4 GB or 2x DDR3L-1333 memory down up to 8 GB
GRAPHICS CONTROLLER	Intel® HD Graphics (Gen7)
ETHERNET CONTROLLER	USB SMSC LAN7500i, PCIe Intel® I210IT optional
ETHERNET	10/100/1000 MBit Ethernet
HARD DISK	2x SATA 3Gb/s
FLASH ONBOARD	2 - 64 GB eMMC, 1x microSD Socket
PANEL SIGNAL	DDI1: DP++, DDI2: DP++ (shared w/LVDS), DDI3: -, VGA: Yes, LVDS: Dual Channel 18/24bit
USB	1x USB 3.0 (incl. USB 2.0), 2x USB 2.0 from CPU, 4x USB 2.0 from HSIC Hub, 1x USB client
SERIAL	2x serial interface (RX/TX only)
AUDIO	Intel® High Definition Audio
COMMON FEATURES	SPI, LPC, SMB, Fast I <sup>2</sup> C, Staged Watchdog, RTC, MARS
BIOS	Phoenix Secure Core UEFI
HUMIDITY	93 % relative Humidity at 40 °C, non-condensing (according to IEC 60068-2-78)
OPTIONS	ECC or non-ECC memory, eMMC Flash onboard (2 - 32 GB SLC, 4 - 64 GB MLC), microSD Socket, PCIe GBEthernet, FSP + Coreboot, AES-NI
POWER MANAGEMENT	ACPI, S5 Eco
POWER SUPPLY	4.75 V – 20 V Wide Range, Single Supply Power
SPECIAL FEATURES	POSCAP capacitors, GPIO/SDIO Switch, LVDS/DP Multiplexer, 2x MIPI-CSI on PEG interface
OPERATING SYSTEM	Windows® 8, Windows® 7, WEBS, WES7, WEC7, Linux, VxWorks
TEMPERATURE	Industrial temperature: -40 °C to +85 °C operating, -40 °C to +85 °C non-operating



## CORPORATE OFFICES

### EUROPE, MIDDLE EAST & AFRICA

Lise-Meitner-Str. 3-5  
86156 Augsburg  
Germany  
Tel.: +49 821 4086 0  
Fax: +49 821 4086 111  
info@kontron.com

### NORTH AMERICA

14118 Stowe Drive  
Poway, CA 92064-7147  
USA  
Tel.: +1 888 294 4558  
Fax: +1 858 677 0898  
info@us.kontron.com

### ASIA PACIFIC

1-2F, 10 Building, No. 8 Liangshuihe 2nd Street,  
Economical & Technological Development Zone,  
Beijing, 100176, P.R.China  
Tel.: +86 10 63751188  
Fax: +86 10 83682438  
info@kontron.cn