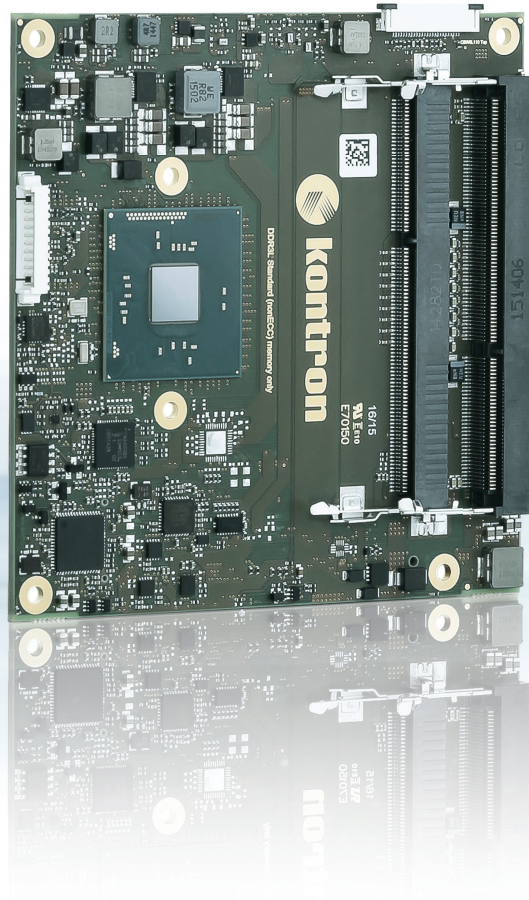


# COMe-cBW6

---



## COM Express® COMPACT TYPE 6 WITH Intel® Pentium® / Celeron® PROCESSOR N3000 SERIES

- ▶ COM Express® compact pin-out type 6 Computer-on-Module with Intel® Pentium® / Celeron® Processor N3000 series
- ▶ up to 8 GByte DDR3L 1600 Memory (2 SODIMM Socket)
- ▶ high speed Interface 2x SATA3 4x USB 3.0/2.0 , +4x USB 2.0

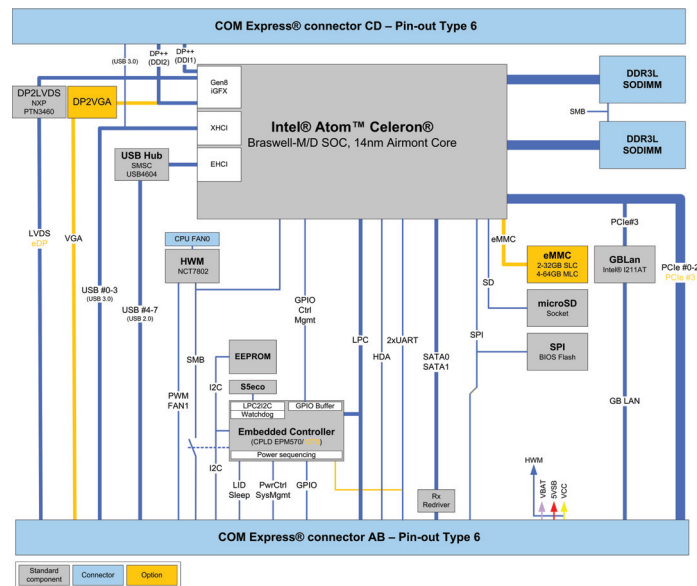
POSSIBILITIES START HERE



## TECHNICAL INFORMATION

COMPLIANCE	COM Express® Compact Pin-out Type 6
DIMENSIONS (H x W x D)	95 x 95 mm
CPU (SoC)	Intel® Pentium® N3700 (4x 1.60 GHz/2,40 GHz, 6 W) Intel® Celeron® N3150 (4x 1.60 GHz/2,08 GHz, 6 W) Intel® Celeron® N3050 (2x 1.60 GHz/2,16 GHz, 6 W) Intel® Celeron® N3000 (2x 1.04 GHz/2,08 GHz, 4 W)
CHIPSET	Integrated SoC
MAIN MEMORY	2x SODIMM for DDR3L-1333/1600 (non ECC) up to 2x 4 GByte, 8 GByte total
GRAPHICS CONTROLLER	Intel® HD® Graphics
ETHERNET CONTROLLER	Intel® I211AT
ETHERNET	10/100/1000 MBit Ethernet
HARD DISK	2x SATA3 6Gb/s
FLASH ONBOARD	Up to 32 GByte SLC eMMC (option)
PCI Express® SUPPORT	3x PCIe2.0 on PCIe lane 0-2 (3 controllers, 3 x1) Option: 4 Lanes if no LAN (4 controllers, 4 x1, 1 x4)
PANEL SIGNAL	3 independent Displays DDI1: DP++, DDI2: DP++, LVDS: Dual Channel 18/24bit, VGA optional on DDI2
USB	4x USB 3.0/2.0, + 4x USB 2.0
SERIAL	2x serial interface (RX/TX only)
AUDIO	Intel® High Definition Audio
COMMON FEATURES	SPI, LPC, SMB, Fast I <sup>2</sup> C, Staged Watchdog, RTC, MARS
BIOS	AMI AptioV UEFI
HUMIDITY	93 % relative Humidity at 40 °C, non-condensing (according to IEC 60068-2-78)
OPTIONS	1x PCIe x1 additional w/o onboard LAN, onboard SSD (32 GByte eMMC), eDP instead of LVDS, VGA instead DDI2
POWER MANAGEMENT	ACPI 4.0, S5 Eco
POWER SUPPLY	8.5 V – 20 V Wide Range ATX, Single Supply Power
SPECIAL FEATURES	POSCAP capacitors, LVDS/DP Multiplexer, microSD card socket*
TEMPERATURE SPECIFICATIONS	Commercial temperature: 0 °C to +60 °C operating, -30 °C to +85 °C non-operating
OPERATING SYSTEMS	Win7, Win8.1, WES8, Win 10 (all 64Bit), Linux
SUPPORTED MODULES	COMe-cBW6 36020-xxxx-xx-x;, commercial temperature

See Manual for more details



## CORPORATE OFFICES

### EUROPE, MIDDLE EAST & AFRICA

Lise-Meitner-Str. 3-5  
86156 Augsburg  
Germany  
Tel.: + 49 821 4086 0  
Fax: + 49 821 4086 111  
info@kontron.com

### NORTH AMERICA

14118 Stowe Drive  
Poway, CA 92064-7147  
USA  
Tel.: + 1 888 294 4558  
Fax: + 1 858 677 0898  
info@us.kontron.com

### ASIA PACIFIC

1-2F, 10 Building, No. 8 Liangshuihe 2nd Street,  
Economical & Technological Development Zone,  
Beijing, 100176, P.R.China  
Tel.: +86 10 63751188  
Fax: +86 10 83682438  
info@kontron.cn