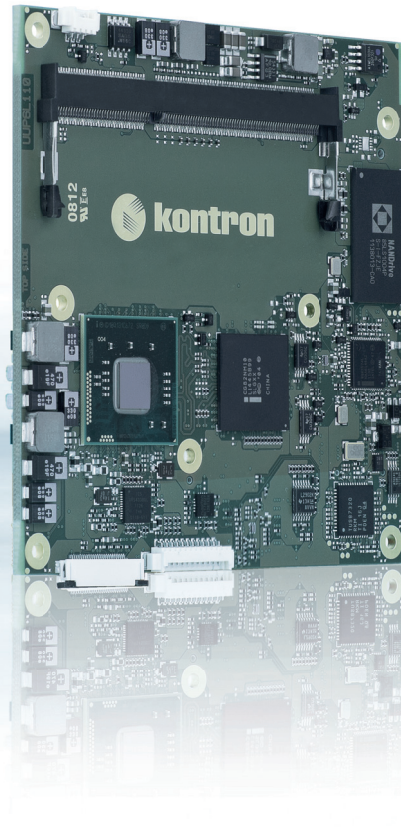


COMe-cCT6



COM EXPRESS® COMPACT TYPE 6 WITH Intel® Atom™ D2000/N2000 SERIES

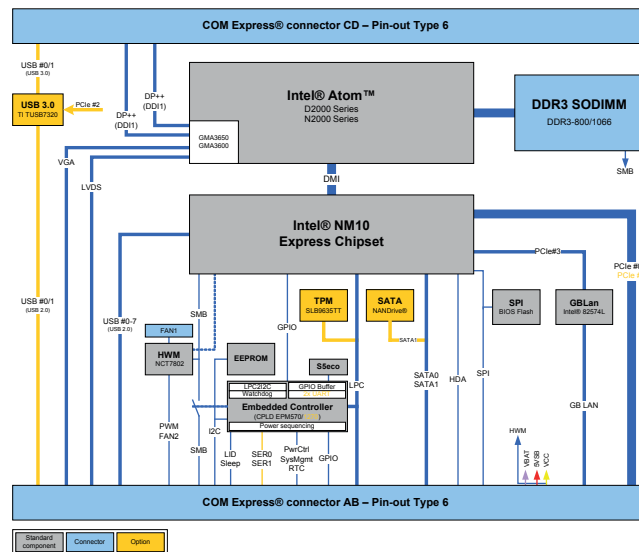
- ▶ Intel® Atom™ D2000 & N2000 series
- ▶ valuable Dual Core technology
- ▶ full-HD and Blu-ray support

POSSIBILITIES START HERE



TECHNICAL INFORMATION

COMPLIANCE	COM Express® compact, Pin-out Type 6
DIMENSIONS (H X W X D)	95 x 95 mm
CPU	Intel® Atom™ D2550, Intel® Atom™ N2800, Intel® Atom™ N2600
CHIPSET	Intel® NM10 Express Chipset
MAIN MEMORY	1x DDR3-1066 SO-DIMM up to 4GB
GRAPHICS CONTROLLER	Intel® GMA 3650 (D2550, N2800), Intel® GMA 3600 (N2600)
ETHERNET CONTROLLER	Intel® 82574L
ETHERNET	10/100/1000 Mbit Ethernet
HARD DISK	2x SATA 3Gb/s
FLASH ONBOARD	2 - 64GB SATA NANDrive
PCI EXPRESS® / PCI SUPPORT	3x PCIe x1
PANEL SIGNAL	DDI1: DP++, DDI2: DP++, DDI3: -, VGA: Yes, LVDS: Dual Channel 18/24bit
USB	8x USB 2.0, 2x USB 3.0 optional (TI TUSB7320)
SERIAL	2x serial interface (RX/TX only) optional
AUDIO	Intel® High Definition Audio
COMMON FEATURES	SPI, LPC, SMB, Fast I ² C, Staged Watchdog, RTC, MARS
BIOS	AMI APTIO (UEFI)
HUMIDITY	93% relative Humidity at 40°C, non-condensing (according to IEC 60068-2-78)
OPTIONS	1x PCIe x1 additional w/o onboard LAN, 2x USB 3.0 (TI TUSB7320), Trusted Platform Module TPM 1.2 2x UART, SATA Flash (2-32GB SLC, 4-64GB MLC), Secure Boot
POWER MANAGEMENT	ACPI 3.0, S5 Eco
POWER SUPPLY	4.75V – 20V Wide Range, Single Supply Power
SPECIAL FEATURES	POSCAP capacitors
OPERATING SYSTEM	Windows® 7, WES7, WEC7, Windows® XP, Linux, VxWorks
TEMPERATURE	Commercial temperature: 0°C to +60°C operating, -30°C to +85°C non-operating Extended temperature: -25°C to +75°C operating, -30°C to +85°C non-operating Industrial temperature: -40°C to +85°C operating, -40°C to +85°C non-operating



CORPORATE OFFICES

EUROPE, MIDDLE EAST & AFRICA

Lise-Meitner-Str. 3-5
86156 Augsburg
Germany
Tel.: +49 821 4086 0
Fax: +49 821 4086 111
info@kontron.com

NORTH AMERICA

14118 Stowe Drive
Poway, CA 92064-7147
USA
Tel.: +1 888 294 4558
Fax: +1 858 677 0898
info@us.kontron.com

ASIA PACIFIC

1-2F, 10 Building, No. 8 Liangshuihe 2nd Street,
Economical & Technological Development Zone,
Beijing, 100176, P.R.China
Tel.: +86 10 63751188
Fax: +86 10 83682438
info@kontron.cn