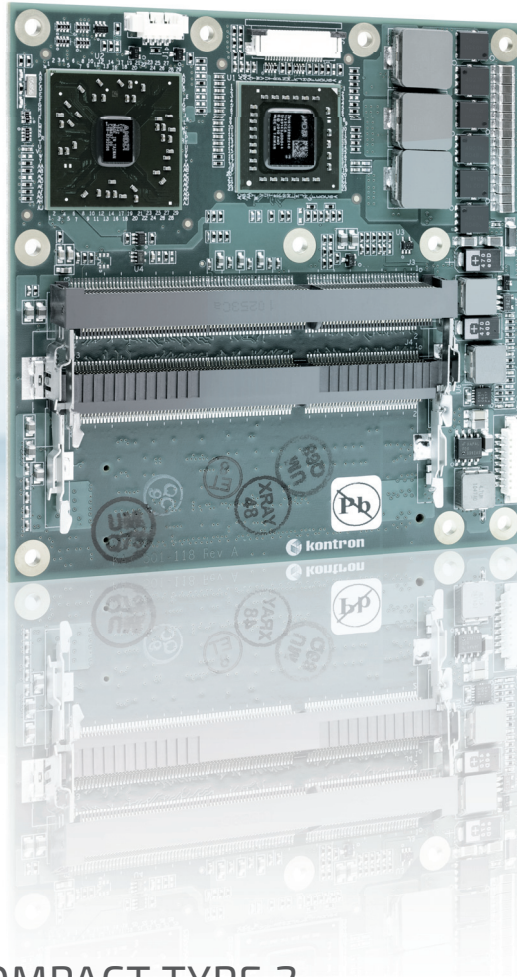


COMe-c0H2



COM EXPRESS® COMPACT TYPE 2 WITH AMD™ EMBEDDED G-SERIES APU

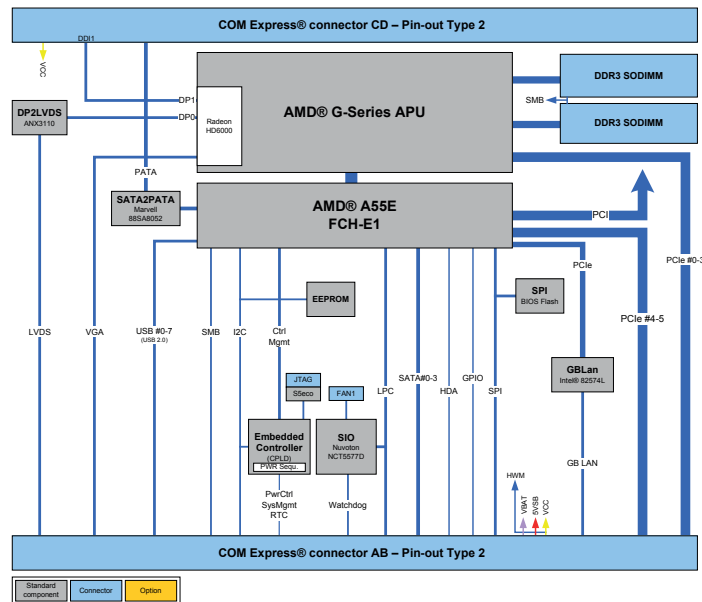
- ▶ AMD™ embedded G-Series advanced processing unit (APU)
- ▶ AMD A55E fusion controller hub (FCH)
- ▶ excellent integrated graphics support & multi-monitor use
- ▶ support for Direct X® 11, OpenCL™ 1.0 and OpenGL® 3.2

POSSIBILITIES START HERE



TECHNICAL INFORMATION

COMPLIANCE	COM Express® compact, Pin-out Type 2
DIMENSIONS (H X W X D)	95 x 95 mm
CPU	AMD® G-Series APU T56N, AMD® G-Series APU T52R, AMD® G-Series APU T44R
CHIPSET	AMD™ FusionControllerHub A55E
MAIN MEMORY	2x DDR3-1066 up to 2x 4GB
GRAPHICS CONTROLLER	AMD Radeon™HD6310 (T56N, T52R) AMD Radeon™HD6250 (T40N, T44R)
ETHERNET CONTROLLER	Intel® 82574L
ETHERNET	10/100/1000 MBit Ethernet
HARD DISK	4x SATA 3Gb/s, 1x PATA (Marvel 88SA8052)
FLASH ONBOARD	None
PCI EXPRESS® / PCI SUPPORT	6x PCIe x1, 1x PCI
PANEL SIGNAL	DDI1: DP++, DDI2: -, DDI3: -, VGA: yes, LVDS: Dual Channel 18/24bit
USB	8x USB 2.0
AUDIO	High Definition Audio
COMMON FEATURES	SPI, LPC, SMB, Fast I ² C, Watchdog, RTC, MARS
BIOS	AMI APTIO (UEFI)
HUMIDITY	93% relative Humidity at 40°C, non-condensing (according to IEC 60068-2-78)
OPTIONS	-
POWER MANAGEMENT	ACPI 3.0, S5 Eco
POWER SUPPLY	4.75V – 18V Wide Range, Single Supply Power
SPECIAL FEATURES	POSCAP capacitors
OPERATING SYSTEM	Windows® 8, Windows® 7, WES7, WEC7, WinXP, XPe, Linux
TEMPERATURE	Commercial temperature: 0°C to +60°C operating, -30°C to



CORPORATE OFFICES

EUROPE, MIDDLE EAST & AFRICA

Lise-Meitner-Str. 3-5
 86156 Augsburg
 Germany
 Tel.: +49 821 4086 0
 Fax: +49 821 4086 111
 info@kontron.com

NORTH AMERICA

14118 Stowe Drive
 Poway, CA 92064-7147
 USA
 Tel.: +1 888 294 4558
 Fax: +1 858 677 0898
 info@us.kontron.com

ASIA PACIFIC

1-2F, 10 Building, No. 8 Liangshuihe 2nd Street,
 Economical & Technological Development Zone,
 Beijing, 100176, P.R.China
 Tel.: +86 10 63751188
 Fax: +86 10 83682438
 info@kontron.cn