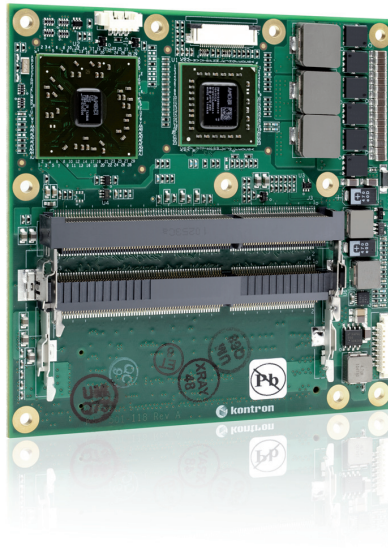


» COMe-c0H6 «

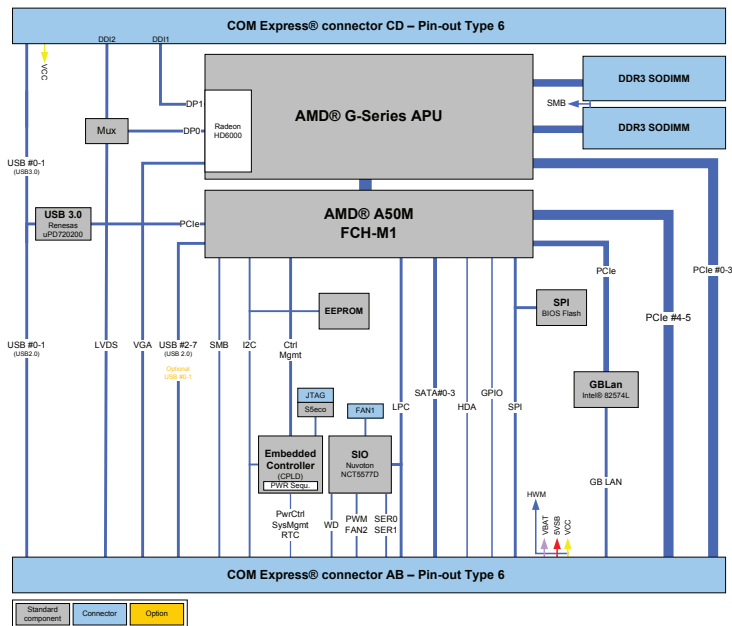


COM Express® compact Type 6 with AMD™ embedded G-Series APU

- » AMD™ embedded G-Series Advanced Processing Unit (APU)
- » AMD A50M Fusion Controller Hub (FCH)
- » Excellent integrated graphics support & Multi-Monitor use
- » Support for Direct X® 11, OpenCL™ 1.0 and OpenGL® 3.2

Technical Information

Compliance	COM Express® compact, Pin-out Type 6
Dimensions (H x W x D)	95 x 95 mm
CPU	AMD® G-Series APU T56N, AMD® G-Series APU T40N, AMD® G-Series APU T52R, AMD® G-Series APU T44R
Chipset	AMD™ FusionControllerHub A50M
Main Memory	2x DDR3-1066 up to 2x 4GB
Graphics Controller	AMD Radeon™ HD6310 (T56N, T52R) AMD Radeon™ HD6250 (T40N, T44R)
Ethernet Controller	Intel® 82574L
Ethernet	10/100/1000 MBit Ethernet
Hard Disk	4x SATA 3Gb/s
Flash Onboard	None
PCI Express® / PCI support	6x PCIe x1
Panel signal	DDI1: DP++, DDI2: DP++ shared with LVDS, DDI3: -, VGA: yes, LVDS: Single Channel 18bit
USB	6x USB 2.0 + 2x USB 3.0 (Renesas PD720200A)
Serial	2x serial interface (RX/TX only)
Audio	High Definition Audio
Common Features	SPI, LPC, SMB, Fast I²C, Watchdog, RTC, MARS
BIOS	AMI APTIO (UEFI)
Humidity	93% relative Humidity at 40°C, non-condensing (according to IEC 60068-2-78)
Options	-
Power Management	ACPI 3.0, S5 Eco
Power Supply	4.75V – 18V Wide Range, Single Supply Power
Special Features	POSCAP capacitors
Operating System	Windows® 8, Windows® 7, WES7, WEC7, WinXP, XPe, Linux
Temperature	Commercial temperature: 0°C to +60°C operating, -30°C to



CORPORATE OFFICES

Europe, Middle East & Africa

Lise-Meitner-Str. 3-5
86156 Augsburg
Germany

Tel.: +49 (0) 821 4086-0
Fax: +49 (0) 821 4086 111
sales@kontron.com

North America

14118 Stowe Drive
Poway, CA 92064-7147
USA

Tel.: +1 888 294 4558
Fax: +1 858 677 0898
info@us.kontron.com

Asia Pacific

17 Building, Block #1, ABP.
188 Southern West 4th Ring Road
Beijing 100070, P.R.China

Tel.: +86 10 63751188
Fax: +86 10 83682438
info@kontron.cn