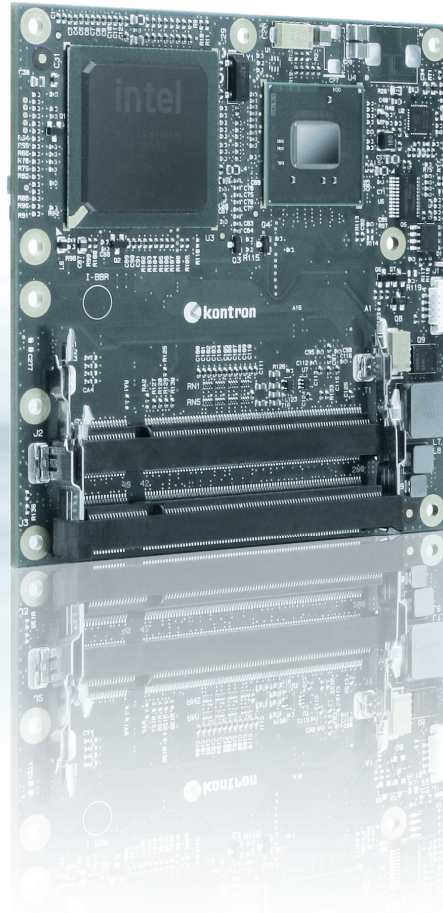


COMe-cPV2



COM EXPRESS® COMPACT TYPE 2 WITH Intel® Atom™ D500/N400 SERIES

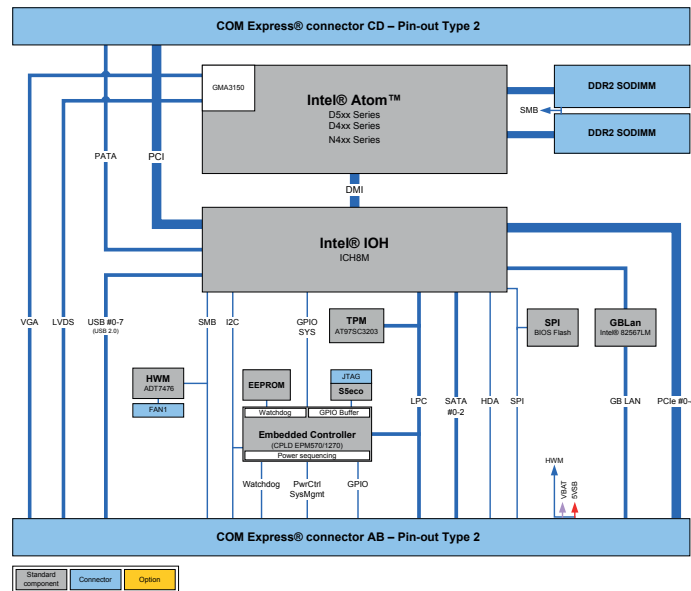
- ▶ Intel® Atom™ D500/N400 series
- ▶ up to 2x 2GB DDR2 SODIMM dual channel
- ▶ with Intel® GMA3150 graphics

POSSIBILITIES START HERE



TECHNICAL INFORMATION

COMPLIANCE	COM Express® compact, Pin-out Type 2
DIMENSIONS (H X W X D)	95 x 95 mm
CPU	Intel® Atom™ D510, Intel® Atom™ D410, Intel® Atom™ N450
CHIPSET	Intel® ICH8M (82B01HBM)
MAIN MEMORY	2x DDR2-800 SO-DIMM up to 2x2GB
GRAPHICS CONTROLLER	Intel® GMA3150
ETHERNET CONTROLLER	Intel® 82567LM
ETHERNET	10/100/1000 Mbit Ethernet
HARD DISK	3x SATA 3Gb/s, 1x PATA
FLASH ONBOARD	-
PCI EXPRESS® / PCI SUPPORT	5x PCIe x1, 1x PCI
PANEL SIGNAL	DDI1: - DDI2: - DDI3: - VGA: Yes LVDS: Single Channel 18bit
USB	8x USB 2.0
SERIAL	-
AUDIO	Intel® High Definition Audio
COMMON FEATURES	SPI, LPC, SMB, I ² C, Watchdog, RTC, MARS
BIOS	AMI CORE8
HUMIDITY	93% relative Humidity at 40°C, non-condensing (according to IEC 60068-2-78)
OPTIONS	-
POWER MANAGEMENT	ACPI 1.0b/3.0
POWER SUPPLY	5V - 18V Wide Range, Single Supply Power
SPECIAL FEATURES	-
OPERATING SYSTEM	Windows® 8, Windows® 7, WES7, WEC7, Windows® XP, XPe, Windows® CE, Linux
TEMPERATURE	Commercial temperature: 0°C to +60°C operating, -30°C to +85°C non-operating



CORPORATE OFFICES

EUROPE, MIDDLE EAST & AFRICA

Lise-Meitner-Str. 3-5
86156 Augsburg
Germany
Tel.: + 49 821 4086 0
Fax: + 49 821 4086 111
info@kontron.com

NORTH AMERICA

14118 Stowe Drive
Poway, CA 92064-7147
USA
Tel.: + 1 888 294 4558
Fax: + 1 858 677 0898
info@us.kontron.com

ASIA PACIFIC

1-2F, 10 Building, No. 8 Liangshuihe 2nd Street,
Economical & Technological Development Zone,
Beijing, 100176, P.R.China
Tel.: +86 10 63751188
Fax: +86 10 83682438
info@kontron.cn