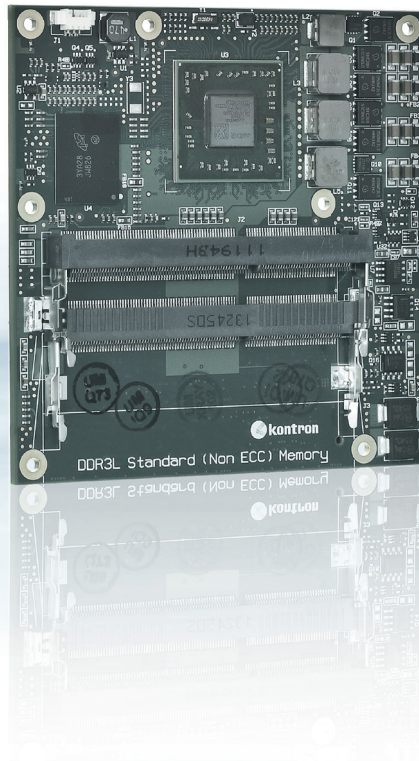


# COMe-cSE6

---



## COM Express® COMPACT TYPE 6 WITH AMD G-SERIES SOC

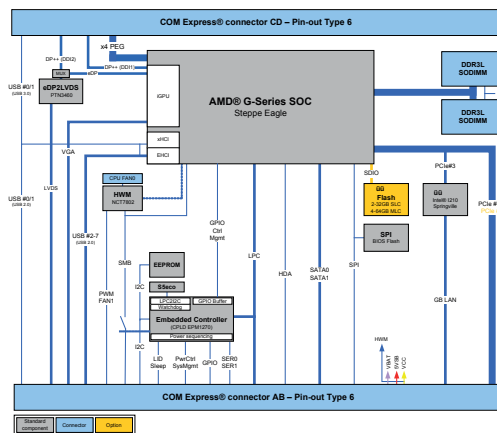
- ▶ AMD G-Series SOC, GX-Series
- ▶ Up to 2x 8GB DDR3L SODIMM dual channel
- ▶ Up to 8x USB 2.0, 2x USB 3.0, eMMC Flash, 2x SATA 6Gb/s
- ▶ Commercial & Industrial Grade Temperature

POSSIBILITIES START HERE



## TECHNICAL INFORMATION

COMPLIANCE	COM Express® compact, Pin-out Type 6	
DIMENSIONS (H X W X D)	95 x 95 mm	
CPU	COMe-c5Ec6: AMD G-Series GX-424CC (4x2.4GHz, 25W) AMD G-Series GX-414HC (4x1.2/1.6GHz, 7W) AMD G-Series GX-222GC (2x2.2/2.4GHz, 15W) AMD G-Series GX-212JC (2x1.2/1.4GHz, 6W)	COMe-c5Ei6: AMD G-Series GX-208JC (2x0.8GHz, 6W)
CHIPSET	-	
MAIN MEMORY	2x DDR3L-1333/1600 SODIMM up to 2x8GB	
GRAPHICS CONTROLLER	AMD HD8000 Series	
ETHERNET CONTROLLER	Intel® I210IT	
ETHERNET	10/100/1000 MBit Ethernet	
HARD DISK	2x SATA 6Gb/s	
FLASH ONBOARD	2 - 64GB eMMC	
PCI EXPRESS® / PCI SUPPORT	3x PCIe x1, 4x PCIe on PEG	
PANEL SIGNAL	DDI1: DP++, DDI2: DP++ (shared w/LVDS), DDI3: -, VGA: Yes, LVDS: Dual Channel 18/24bit	
USB	2x USB 3.0 (incl. USB 2.0), 6x USB 2.0	
SERIAL	2x serial interface (RX/TX only)	
AUDIO	High Definition Audio	
COMMON FEATURES	SPI, LPC, SMB, Fast I <sup>2</sup> C, Staged Watchdog, RTC, MARS	
BIOS	AMI Aptio UEFI	
HUMIDITY	93% relative Humidity at 40°C, non-condensing (according to IEC 60068-2-78)	
OPTIONS	1x PCIe x1 additional w/o onboard LAN, eMMC Flash onboard (2-32GB SLC, 4-64GB MLC)	
POWER MANAGEMENT	ACPI, S5 Eco	
POWER SUPPLY	4.75V – 20V Wide Range, Single Supply Power	
SPECIAL FEATURES	POSCAP capacitors, LVDS/DP Multiplexer	
OPERATING SYSTEM	Windows® 8, Windows® 7, WEBS, WEST7, Linux	
TEMPERATURE	Commercial temperature (COMe-c5Ec6): 0°C to +60°C operating, -30°C to +85°C non-operating Industrial temperature (COMe-c5Ei6): -40°C to +85°C operating, -40°C to +85°C non-operating	
SUPPORTED MODULES	36018-xxxx-xx-x: COMe-c5Ei6, industrial temperature, 36018-xxxx-xx-x: COMe-c5Ec6, commercial temperature	



## CORPORATE OFFICES

### EUROPE, MIDDLE EAST & AFRICA

Lise-Meitner-Str. 3-5  
 86156 Augsburg  
 Germany  
 Tel.: +49 821 4086 0  
 Fax: +49 821 4086 111  
 info@kontron.com

### NORTH AMERICA

14118 Stowe Drive  
 Poway, CA 92064-7147  
 USA  
 Tel.: +1 888 294 4558  
 Fax: +1 858 677 0898  
 info@us.kontron.com

### ASIA PACIFIC

1-2F, 10 Building, No. 8 Liangshuihe 2nd Street,  
 Economical & Technological Development Zone,  
 Beijing, 100176, P.R.China  
 Tel.: +86 10 63751188  
 Fax: +86 10 83682438  
 info@kontron.cn