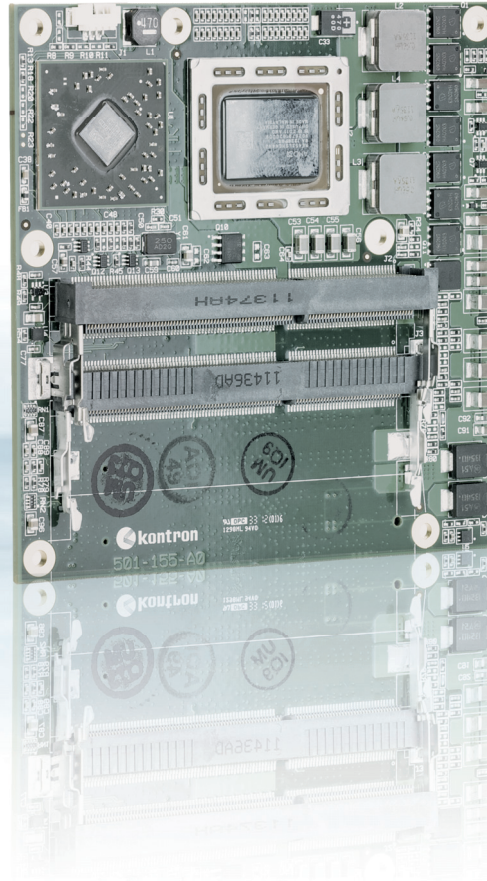


COMe-cTH6



COM EXPRESS® COMPACT PIN-OUT TYPE 6 WITH AMD™ EMBEDDED R-SERIES APU

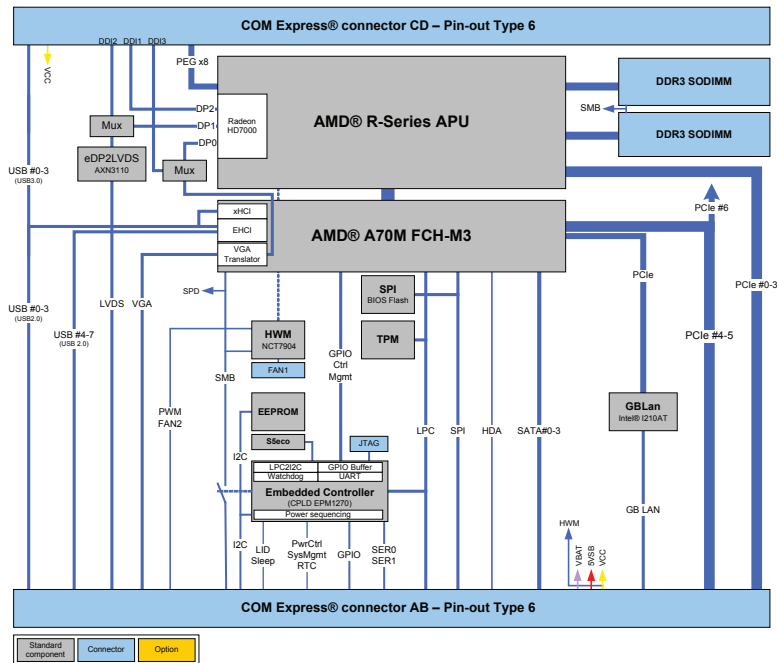
- ▶ AMD embedded R-Series advanced processing unit (APU)
- ▶ integrated Radeon™ HD 7000 series GPU
- ▶ superior graphics support & multi-monitor use up to 4 displays
- ▶ support for Direct X® 11, OpenCL™ 1.1 and OpenGL® 4.2

POSSIBILITIES START HERE



TECHNICAL INFORMATION

| | |
|------------------------|--|
| COMPLIANCE | COM Express® compact, Pin-out Type 6 |
| DIMENSIONS (H X W X D) | 95 x 95 mm |
| CPU | AMD® R-Series APU R-460L, AMD® R-Series APU R-452L, AMD® R-Series APU R-260H |
| CHIPSET | AMD™ FusionControllerHub A70M M3 |
| MAIN MEMORY | 2x DDR3-1333 SO-DIMM up to 2x4GB |
| GRAPHICS CONTROLLER | AMD Radeon™HD7620G (R-460L), AMD Radeon™HD7600G (R-452L), AMD Radeon™HD7500G (R-260H) |
| ETHERNET CONTROLLER | Intel® I210-AT |
| ETHERNET | 10/100/1000 MBit Ethernet |
| HARD DISK | 4x SATA 6Gb/s |
| FLASH ONBOARD | - |
| PANEL SIGNAL | 1x PEG x8, 7x PCIe x1 |
| USB | DDI1: DP++, DDI2: DP++ shared with LVDS, DDI3: DP++ shared with VGA, VGA: Yes, LVDS: Dual Channel 18/24bit |
| SERIAL | 2x serial interface (RX/TX onl) |
| AUDIO | High Definition Audio |
| COMMON FEATURES | SPI, LPC, SMB, Fast I ² C, Staged Watchdog, RTC, MARS |
| BIOS | AMI Aptio UEFI |
| HUMIDITY | 93% relative Humidity at 40°C, non-condensing (according to IEC 60068-2-78) |
| POWER MANAGEMENT | ACPI 4.0, S5 Eco |
| POWER SUPPLY | 4.75V – 20V Wide Range, Single Supply Power |
| SPECIAL FEATURES | POSCAP capacitors, Trusted Platform Module TPM 1.2 |
| OPERATING SYSTEM | Windows® 8, Windows® 7, WES7, Linux |
| TEMPERATURE | Commercial temperature: 0°C to +60°C operating, -30°C to +85°C non-operating |



CORPORATE OFFICES

EUROPE, MIDDLE EAST & AFRICA

Lise-Meitner-Str. 3-5
86156 Augsburg
Germany
Tel.: +49 821 4086 0
Fax: +49 821 4086 111
info@kontron.com

NORTH AMERICA

14118 Stowe Drive
Poway, CA 92064-7147
USA
Tel.: +1 888 294 4558
Fax: +1 858 677 0898
info@us.kontron.com

ASIA PACIFIC

1-2F, 10 Building, No. 8 Liangshuihe 2nd Street,
Economical & Technological Development Zone,
Beijing, 100176, P.R.China
Tel.: +86 10 63751188
Fax: +86 10 83682438
info@kontron.cn