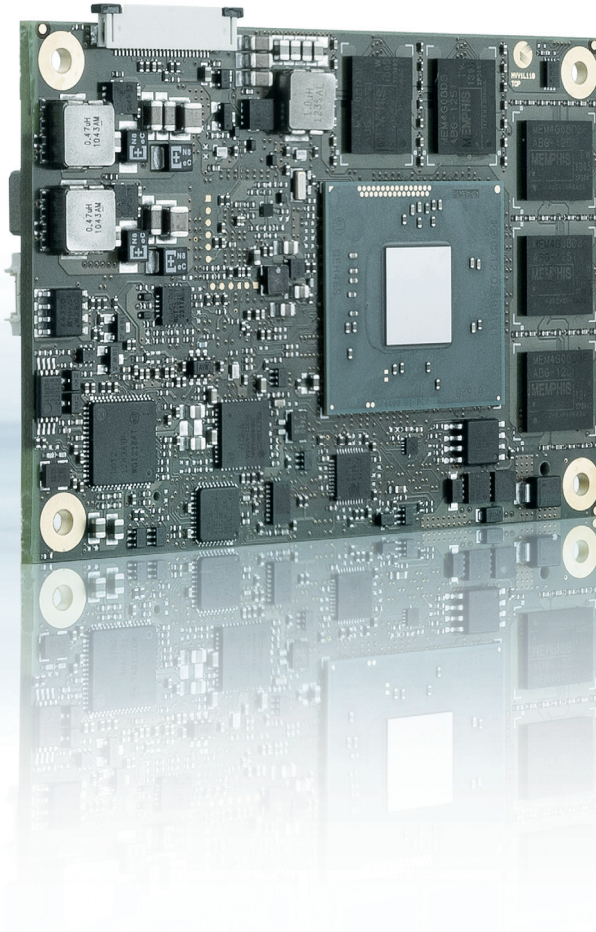


COMe-mBT10



COM EXPRESS® MINI TYPE 10 WITH Intel® Atom™ E3800 & Celeron® SERIES

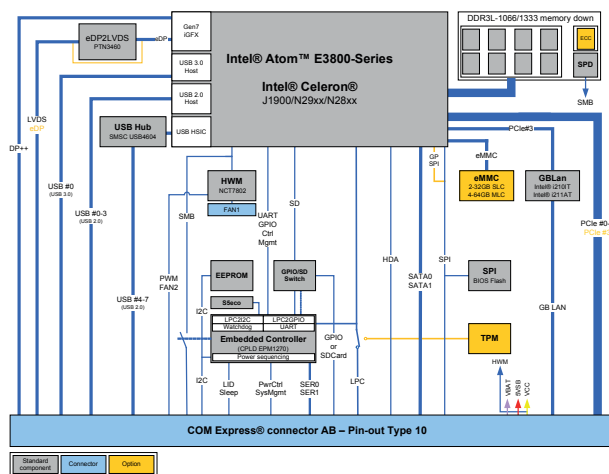
- ▶ Intel® Atom™ E3800 & Celeron® series
- ▶ up to 4 GByte DDR3L memory down (ECC optional)
- ▶ 1x USB 3.0, up to 7x USB 2.0, 1x USB client (optional), eMMC Flash, 2x SATA, SD-Card
- ▶ industrial grade temperature

POSSIBILITIES START HERE



TECHNICAL INFORMATION

COMPLIANCE	COM Express® mini, Pin-out Type 10
DIMENSIONS (H X W X D)	84 x 55 mm
CPU	Intel® Atom™ E3845, Intel® Atom™ E3827, Intel® Atom™ E3826, Intel® Atom™ E3825, Intel® Atom™ E3815, Intel® Celeron® J1900, Intel® Celeron® N2920, Intel® Celeron® N2930, Intel® Celeron® N2807
CHIPSET	-
MAIN MEMORY	Up to 4 GByte DDR3L-1333 memory down (ECC optional)
GRAPHICS CONTROLLER	Intel® HD Graphics (Gen7)
ETHERNET CONTROLLER	Intel® I210IT / I211AT
ETHERNET	10/100/1000 MBit Ethernet
HARD DISK	2x SATA 3Gb/s
FLASH ONBOARD	2 - 64 GByte eMMC
PCI EXPRESS® / PCI SUPPORT	3x PCIe x1
PANEL SIGNAL	DDI: DP++, LVDS: Single Channel 18/24bit or eDP
USB	1x USB 3.0 (incl. USB 2.0), 3x USB 2.0 from CPU, 1x USB 3.0 (incl. USB 2.0), 3x (2x) USB 2.0 from CPU, and 4x USB 2.0 via Hub (34006 only)
SERIAL	2x serial interface (RX/TX only)
AUDIO	Intel® High Definition Audio
COMMON FEATURES	SPI, LPC, SMB, Fast I ² C, Staged Watchdog, RTC, MARS
BIOS	Phoenix Secure Core UEFI
HUMIDITY	93 % relative Humidity at 40 °C, non-condensing (according to IEC 60068-2-78)
OPTIONS	1x PCIe x1 additional w/o onboard LAN, Trusted Platform Module TPM 1.2, ECC memory, eMMC Flash onboard (2-32 GByte SLC, 4-64 GByte MLC), eDP instead of LVDS, General Purpose SPI instead of Boot SPI, FSP + Coreboot, AES-NI
POWER MANAGEMENT	ACPI, S5 Eco
POWER SUPPLY	4.75 V – 20 V Wide Range, Single Supply Power
SPECIAL FEATURES	POSCAP capacitors, GPIO/SDIO Switch, General Purpose SPI optional
OPERATING SYSTEM	Windows® 8, Windows® 7, WE85, WE57, WEC7, Linux, VxWorks
TEMPERATURE	Commercial temperature: 0 °C to +60 °C operating, -30 °C to +85 °C non-operating Industrial temperature: -40 °C to +85 °C operating, -40 °C to +85 °C non-operating



CORPORATE OFFICES

EUROPE, MIDDLE EAST & AFRICA

Lise-Meitner-Str. 3-5
86156 Augsburg
Germany
Tel.: +49 821 4086 0
Fax: +49 821 4086 111
info@kontron.com

NORTH AMERICA

14118 Stowe Drive
Poway, CA 92064-7147
USA
Tel.: +1 888 294 4558
Fax: +1 858 677 0898
info@us.kontron.com

ASIA PACIFIC

1-2F, 10 Building, No. 8 Liangshuihe 2nd Street,
Economical & Technological Development Zone,
Beijing, 100176, P.R.China
Tel.: +86 10 63751188
Fax: +86 10 83682438
info@kontron.cn