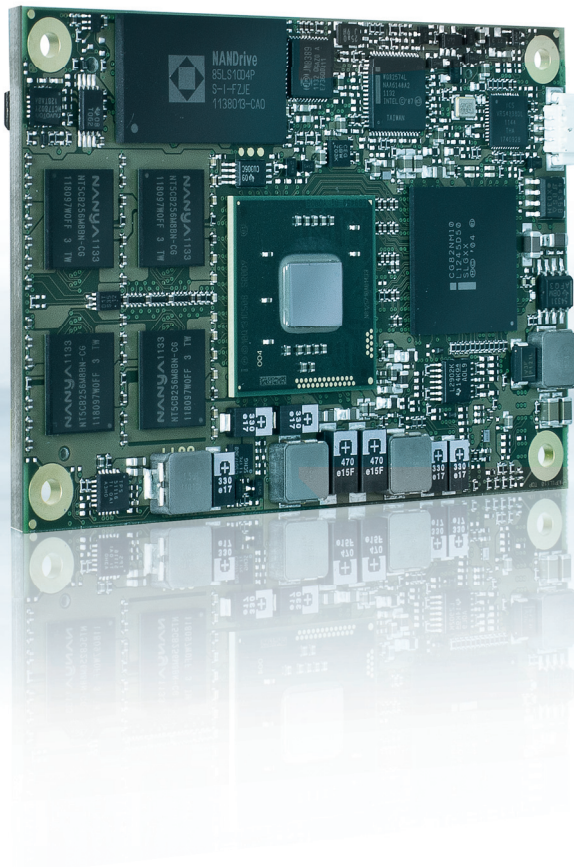


COMe-mCT10



COM EXPRESS® MINI TYPE 10 WITH Intel® Atom™ D2000/N2000 SERIES

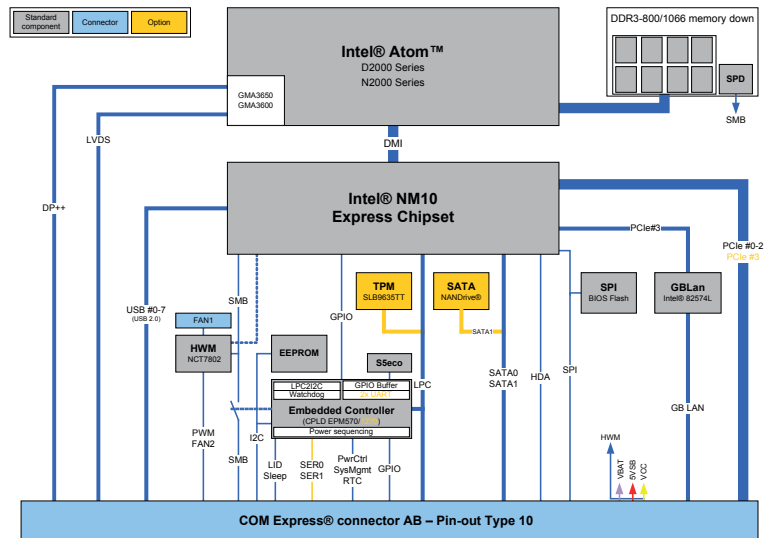
- ▶ Intel® Atom™ D2000 & N2000 Series
- ▶ valuable Dual Core technology
- ▶ Full-HD and Blu-ray support
- ▶ onboard DDR3 system memory

POSSIBILITIES START HERE



TECHNICAL INFORMATION

COMPLIANCE	COM Express® mini, Pin-out Type 10
DIMENSIONS (H X W X D)	84 x 55 mm
CPU	Intel® Atom™ D2550, Intel® Atom™ N2800, Intel® Atom™ N2600
CHIPSET	Intel® NM10 Express Chipset
MAIN MEMORY	Up to 2GB DDR3-1066 memory down
GRAPHICS CONTROLLER	Intel® GMA 3650 (D2550, N2800), Intel® GMA 3600 (N2600)
ETHERNET CONTROLLER	Intel® 82574L
ETHERNET	10/100/1000 Mbit LAN
HARD DISK	2x SATA 3Gb/s
FLASH ONBOARD	2 - 64GB SATA NANDrive
PCI EXPRESS® / PCI SUPPORT	3x PCIe x1
PANEL SIGNAL	DDI: DP++, LVDS: Single Channel 18/24bit
USB	8x USB 2.0
SERIAL	2x serial interface (RX/TX only) optional
AUDIO	Intel® High Definition Audio
COMMON FEATURES	SPI, LPC, SMB, Fast I ² C, Staged Watchdog, RTC, MARS
BIOS	AMI Aptio (UEFI)
HUMIDITY	93% relative Humidity at 40°C, non-condensing (according to IEC 60068-2-78)
OPTIONS	1x PCIe x1 additional w/o onboard LAN, Trusted Platform Module TPM 1.2, 2x UART SATA Flash (2-32GB SLC, 4-64GB MLC), Secure Boot
POWER MANAGEMENT	ACPI 3.0, S5 Eco
POWER SUPPLY	4.75V – 20V Wide Range, Single Supply Power
SPECIAL FEATURES	POSCAP capacitors
OPERATING SYSTEM	Windows® 7, WEC7, WES 7, Windows® XP, Linux, VxWorks
TEMPERATURE	Commercial temperature: 0°C to +60°C operating, -30°C to +85°C non-operating Extended temperature: -25°C to +75°C operating, -30°C to +85°C non-operating Industrial temperature: -40°C to +85°C operating, -40°C to +85°C non-operating



CORPORATE OFFICES

EUROPE, MIDDLE EAST & AFRICA

Liste-Meitner-Str. 3-5
86156 Augsburg
Germany
Tel.: +49 821 4086 0
Fax: +49 821 4086 111
info@kontron.com

NORTH AMERICA

14118 Stowe Drive
Poway, CA 92064-7147
USA
Tel.: +1 888 294 4558
Fax: +1 858 677 0898
info@us.kontron.com

ASIA PACIFIC

1-2F, 10 Building, No. 8 Liangshuihe 2nd Street,
Economical & Technological Development Zone,
Beijing, 100176, P.R.China
Tel.: +86 10 63751188
Fax: +86 10 83682438
info@kontron.cn