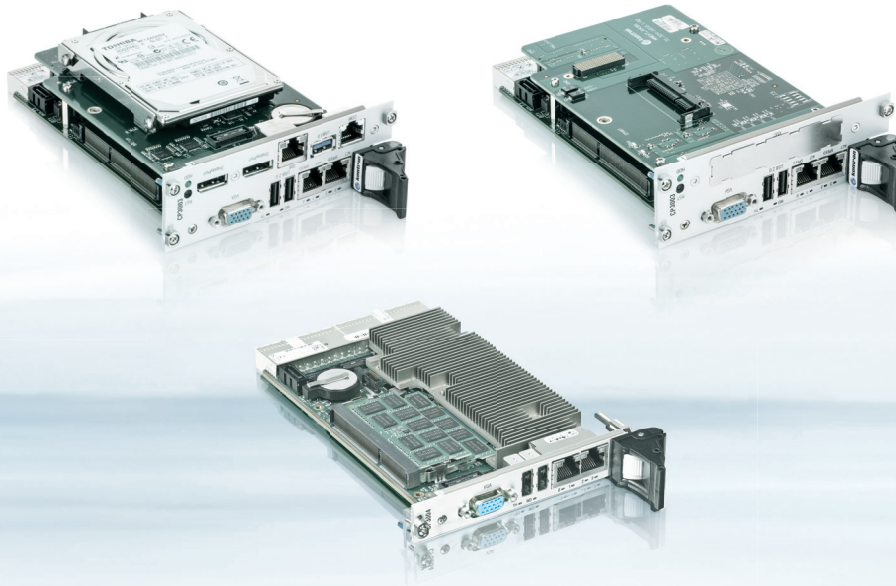


CP3004-SA



5TH GEN. Intel® Core™ 3U CompactPCI CPU BOARD HIGH PERFORMANCE RANGE, HIGH-END GRAPHICS, HIGH CONNECTIVITY

- ▶ Core™ i7 Quadcore and Dualcore (4th gen) versions
- ▶ DirectX® 11, OpenGL 4, three independent outputs
- ▶ USB 3.0, SATA 6Gbit/s, 3x Gbit Ethernet, PCI Express
- ▶ rugged VITA47 EAC3, extended temperature

CP3004-SA

FIFTH GENERATION INTEL® CORE™ 3U COMPACTPCI CPU BOARD

With CP3004-SA, the fifth Generation of Intel® Core™ technology has been made available in Kontron's CompactPCI product portfolio. The high density design offers extraordinary performance-per-watt values based on the 14 nanometer technology, and is an ideal backbone for powerful network-intensive applications providing virtualization (VT-X, VT-D) and highest graphics performance. The new-generation graphics controller has up to 40 execution units providing OpenCL 1.2 / OpenGL 4 and triple independent display support. The Intel® Advanced Vector Extensions AVX 2.0 enhancements provide a huge performance improvement in floating-point-intensive computations, which are a key part of digital signal and image processing applications.

CP3004-SA is prepared to be used in demanding and harsh environments. Dual-Core versions (4th gen CPU) provide for low heat dissipation. The processor's TDP can be adjusted dynamically to a desired performance and power envelope. Typical applications can be found in the markets

- Military / Defence: radar, sonar, general
- Industrial Automation: plant control, machine control
- Energy: demanding environments
- Medical: imaging

Long term availability and Kontron's commitment to a rich CompactPCI portfolio make CP3004-SA a safe investment with low total-cost-of-ownership.

CP3004-SA is available with dual- and quad-core CPU performance scalable from the 1.8 GHz Intel® Core™ i3-4112E up to the 2.6 GHz

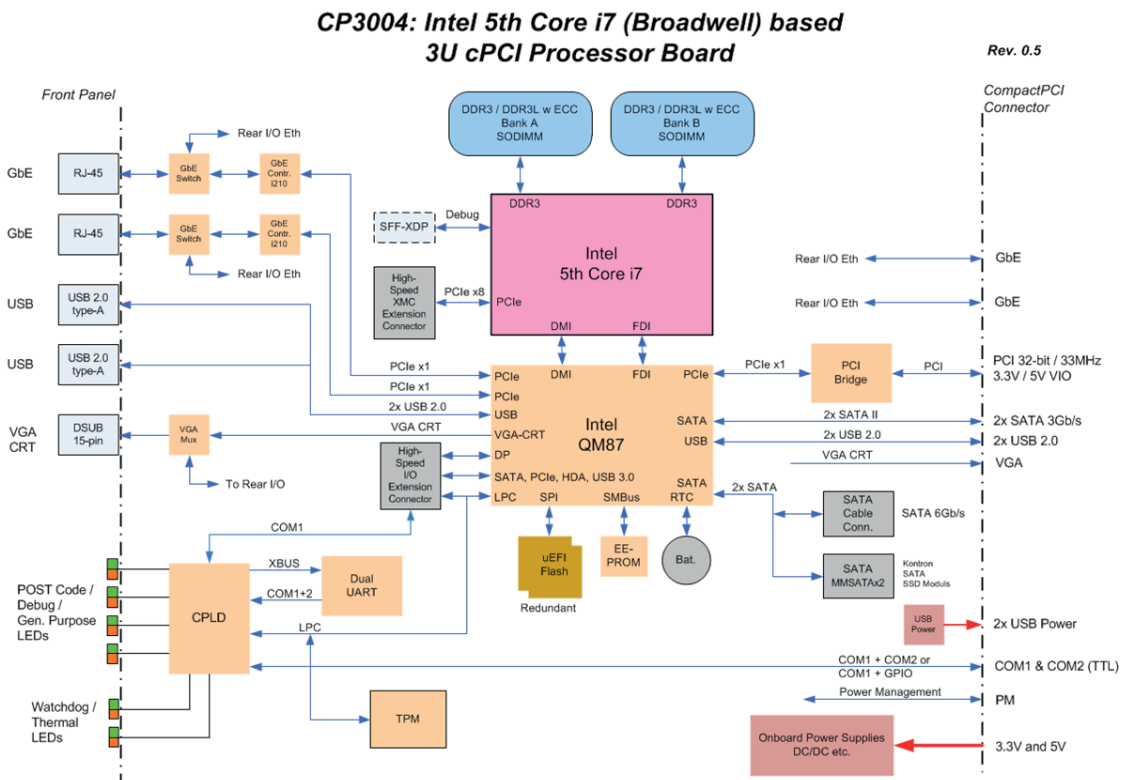
i7-5700EQ processor. Intel® Celeron® processors will be offered on request. Memory-demanding applications can make use of up to 16GB 1600 MT/s DDR3 SDRAM with Error Checking and Correction (ECC). For onboard data storage, the CP3004-SA offers up to 32GB on a dedicated SLC SATA Flash module or a HDD/SSD and CFast option on the 8HP extension module. On the system side, CP3004-SA supports a PCI 32-bit, 33MHz (66MHz on request) CompactPCI interface, enabling the peripheral mode feature. When installed in a system master slot, the CompactPCI interface is enabled, whereas the CompactPCI interface will be isolated when installed in a peripheral slot.

Variety of Interfaces and Options

The CP3004-SA comes with a comprehensive I/O feature set supporting known and established interfaces such as VGA, USB2.0, Gigabit Ethernet and serial ports as well as the new high-speed interfaces USB3.0 and SATA 6Gb/s. By adding one of the three extension modules - XMC Carrier, Legacy I/O or SATA/USB extension - the CP3004-SA's I/O capabilities will be further extended. Backwards compatibility is also granted - the optional Rear I/O interface is compatible with previous CPU board series.

System Security

Options for write protection and TPM2.0 are provided. The Trusted Platform Module (TPM) provides hardware-based encryption mechanisms to create, seal or store keys, passwords and or other critical data.



► TECHNICAL INFORMATION

SUPERVISORY FUNCTIONS		Watchdog, software configurable, 125ms to 4096s in 16 steps, generates IRQ or hardware reset or dual-stage configuration
SOFTWARE SUPPORT		<ul style="list-style-type: none"> - AMI uEFI, setup console redirection to serial port (VT100 mode) with CMOS setup access, EFI Shell support, board configuration via Shell, diskless, keyboardless, videoless operation - LAN boot support - Board identification number accessible via EEPROM - Support for Windows® 7, Windows® Embedded Standard 7, Windows® 8, Windows® Server 2008R2, Linux, VxWorks® (Other OSs may also be used with the CP3004. Please contact Kontron for further information)
COMPLIANCY		<ul style="list-style-type: none"> - CompactPCI Core Specification PICMG 2.0 Rev. 3.0 - CompactPCI Hot Swap Specification PICMG 2.1 Rev. 2.0 Designed to meet or exceed: <ul style="list-style-type: none"> - Safety: UL 60950-1, CSA 22.2 No 60950, EN 60950-1, IEC 60950-1 - EMI/EMC: EN 55022 / EN 55024, EN 61000-6-3 / EN 61000-6-2
GENERAL	DIMENSIONS WEIGHT MTBF	3U 4HP/8HP/12HP CompactPCI, 100 x 160 mm CP3004-SA 4HP: 320 g 234 051 hrs acc. to MIL-HDBK-217 FN2, Ground Benign, controlled at 30°C
POWER CONSUMPTION		CP3004-SA with i3-4112E: Dual-Core 1.8 GHz typ. W tbd CP3004-SA with i5-4410E: Dual-Core 2.9 GHz typ. W tbd CP3004-SA with i7-5700QE QC up to 2.6 GHz typ. W tbd
ENVIRONMENTAL	OPERATING TEMPERATURE STORAGE TEMPERATURE CLIMATIC HUMIDITY	0°C to +60°C, standard -40° to +85°C, extended temp. E2 depending on CPU and Wattage (ask) -40°C to +85°C (without additional components) 93% RH at 40°C, non-condensing (acc. to IEC 60068-2-78)

CP3004-SA EXPANSION CAPABILITIES

The CP3004-SA provides various expansion capabilities via specifically designed modules such as the SATA Flash Module, the Smart Extension Module, the CP3004-HDD module and the CP3004-XMC module. The 4HP CP3004-SA can accommodate two modules, the SATA Flash Module and the Smart Extension module. The SATA Flash Module is available with up to 32 GB SLC NAND flash memory and can be used as storage device for onboard data or operating system data. The SATA Flash Module is specifically designed and optimized for embedded systems providing high performance, reliability and security. The Smart Extension Module expands the onboard I/O capability and provides one additional SATA cable connector plus one USB 2.0 connector thereby facilitating the connection to system-internal USB and SATA devices. Furthermore, two extension modules are available to expand the CP3004-SA to a doubleslot 8HP version, the CP3004-HDD module and the CP3004-XMC module.

If more interfaces to the front are needed, the CP3004-HDD is the right choice. This module provides one USB 3.0 port, one Gigabit Ethernet interface, two DisplayPorts, and one COM interface on the front panel. In addition, the CP3004-HDD module provides support for a 2.5" SATA HDD/SSD and a CFast card. As a further extension capability of the CP3004-SA to 12HP, a SATA adapter module is available with the CP3004-HDD to provide an additional SATA connector for 2.5" SATA HDD/SSD devices. The 12 HP CP3004-SA does not provide a CFast socket. The CP3004-XMC module provides one x8 (or less) PCI Express 2.0-compliant interface with up to 5 GT/s for one XMC module. In addition, the CP3004-XMC module is capable of accommodating a CFast card.

SATA FLASH MODULE

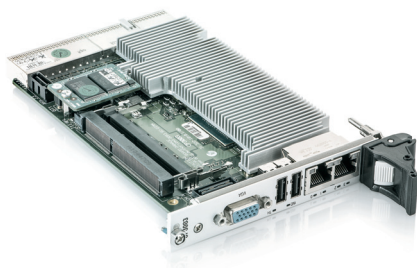
▶ TECHNICAL INFORMATION

MEMORY	CAPACITY NAND FLASH MEMORY BANDWITH	Up to 32 GB SLC-based NAND Flash memory 32nm Toshiba Single Level Cell Components Up to 60 MB/s read rate Up to 55 MB/s write rate
GENERAL	DIMENSIONS WEIGHT MTBF POWER CONSUMPTION	38 x 27mm Ca. 7 grams 3,848,557 h acc. to MIL-HDBK-217 FN2, Ground Benign, controlled at 30°C Typ. 0.5W, 3.3V supply
ENVIRONMENTAL	OPERATING TEMPERATURE STORAGE TEMPERATURE CLIMATIC HUMIDITY	0°C to +60°C, standard -40°C to +85°C, extended temperature -40°C to +85°C 93% RH at 40°C, non-condensing (acc. to IEC 60068-2-78)

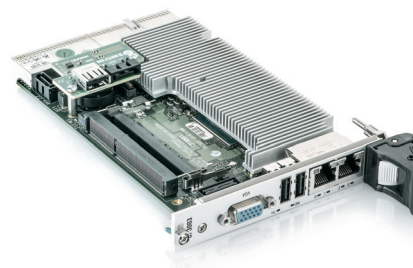
SMART EXTENSION MODULE

▶ TECHNICAL INFORMATION

ONBOARD INTERFACES	SATA USB	One onboard angled standard SATA connector One onboard angled standard USB 2.0 connector
GENERAL	DIMENSIONS WEIGHT MTBF	34 x 49 mm Ca. 11 grams 6,534,579 h acc. to MIL-HDBK-217 FN2, Ground Benign, controlled at 30°C
ENVIRONMENTAL	OPERATING TEMPERATURE STORAGE TEMPERATURE CLIMATIC HUMIDITY	0°C to +60°C, standard -40°C to +85°C, extended temperature -40°C to +85°C 93% RH at 40°C, non-condensing (acc. to IEC 60068-2-78)

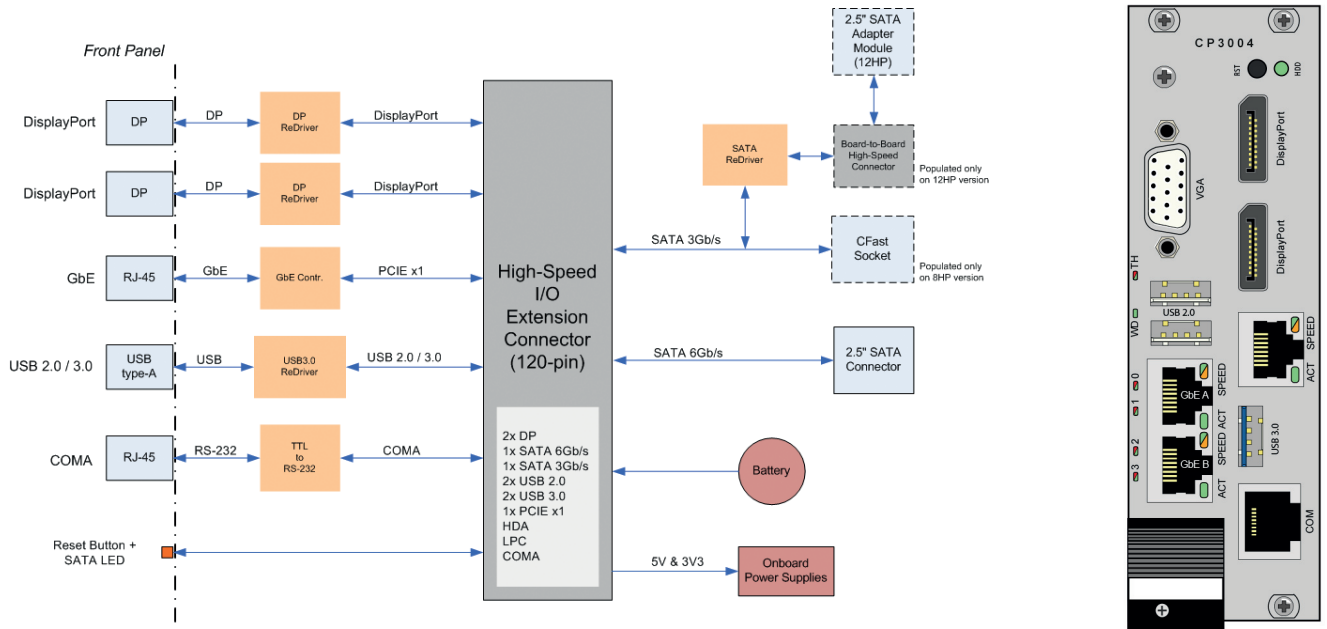


// CP3004-SA WITH SATA FLASH MODULE



// CP3004-SA WITH SMART EXTENSION MODULE

CP3004-HDD



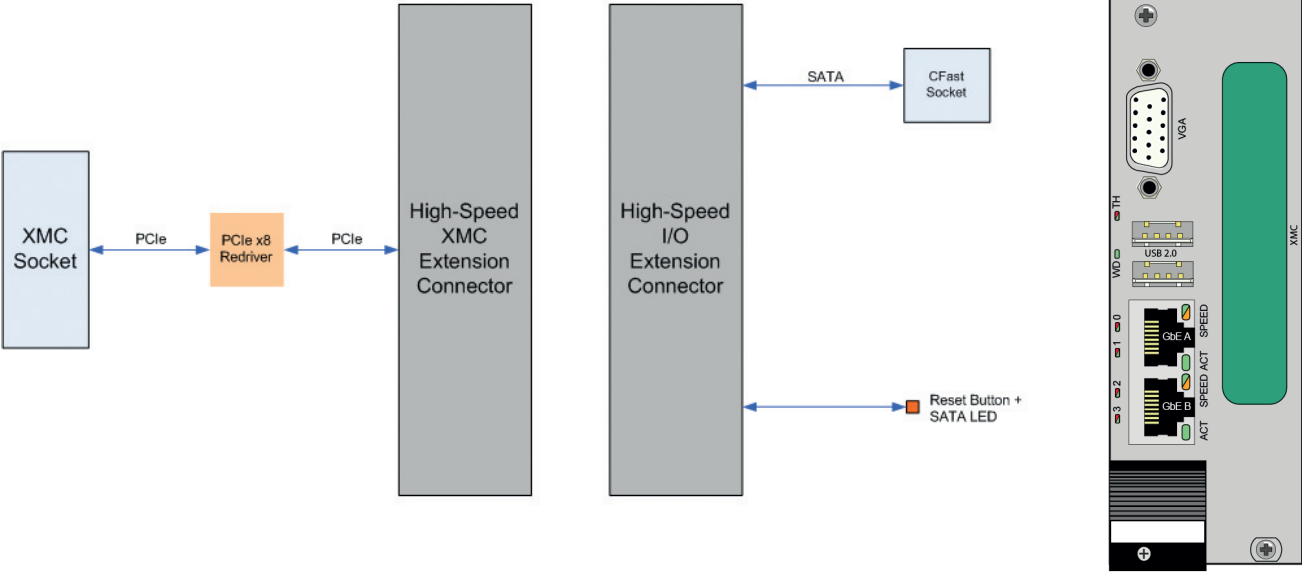
TECHNICAL INFORMATION

FRONT INTERFACES (8HP)	DISPLAYPORT ETHERNET USB SERIAL PORT CONTROL	2x 20-pin DisplayPort connectors, DVI/HDMI capable through passive cable adapter 1x RJ-45 with integrated LEDs (ACT, SPEED) 1x USB 3.0 port, 9-pin type-A connector 1x 16C550-compatible serial port, RS232 signalling, RJ-45 Reset button and HDD activity LED
ONBOARD INTERFACES	SATA CFAST	1x SATA connector for connecting a SATA 2.5" HDD/SSD (SATA 6Gb/s), Option to add 2 nd SATA HDD/SSD (results in 12HP stacking height and CFast socket won't be available) 1x CFast card socket
GENERAL	WEIGHT MTBF POWER CONSUMPTION	CP3004-SA 8HP: 460 g, CP3004-SA 12HP: 520 g 1,120,458 h acc. to MIL-HDBK-217 FN2, Ground Benign, controlled at 30°C typ. 0.5W, without peripheral devices connected
ENVIRONMENTAL	OPERATING TEMPERATURE STORAGE TEMPERATURE CLIMATIC HUMIDITY	0°C to +60°C, standard -40°C to +85°C, extended temperature -40°C to +85°C (without additional components) 93% RH at 40°C, non-condensing (acc. to IEC 60068-2-78)



// CP3004-SA 12HP

CP3004-XMC



TECHNICAL INFORMATION

FRONT INTERFACES (8HP)	XMC CONTROL	XMC front panel bezel cutout Reset button and CFAST activity LED
ONBOARD INTERFACES	XMC	1x onboard XMC connector (P15),
	CFAST	1x x8 PCI Express 2.0-compliant interface with up to 5 GT/s 1x CFAST card socket
GENERAL	WEIGHT	CP3004-SA 8HP: 430 g
	MTBF	2,017,352 h acc. to MIL-HDBK-217 FN2, Ground Benign, controlled at 30°C
	POWER CONSUMPTION	Depends on XMC module, typ. 0W without XMC
ENVIRONMENTAL	OPERATING TEMPERATURE	0°C to +60°C, standard
	STORAGE TEMPERATURE	-40°C to +85°C, extended temperature
	CLIMATIC HUMIDITY	-40°C to +85°C (without additional components) 93% RH at 40°C, non-condensing (acc. to IEC 60068-2-78)

▶ ORDERING INFORMATION

ARTICLE	DESCRIPTION
CP3003-SA PREFERRED CONFIGURATIONS	
CP3004-SA-1.8D-8-4F-T	CP3004-SA Dual Core i3, 8GB, 4HP, Front IO, TPM
CP3004-SA-1.8D-8-4R-T	CP3004-SA Dual Core i3, 8GB, 4HP, Rear IO, TPM
CP3004-SA-2.9D-8-4F-T	CP3004-SA Dual Core i5, 8GB, 4HP, Front IO, TPM
CP3004-SA-2.9D-8-8R-T	CP3004-SA Dual Core i5, 8GB, 8HP, Rear IO, HDD Mezzanine, TPM
CP3004-SA-2.6Q-16-4F-T	CP3004-SA Quad Core i7, 16GB, 4HP, Front IO, TPM
CP3004-SA-2.6Q-16-4R-T	CP3004-SA Quad Core i7, 16GB, 4HP, Rear IO, TPM
<p>Please contact your local sales representative for other configuration options: CPU variant, RAM size, rear I/O support, HDD I/O mezzanine option, XMC mezzanine option, extended temperature option, conformal coating option)</p>	
FLASH STORAGE	(as separate items, not mounted on the CPU)
FLASH-SATA-XGB-CP300X	SATA NAND Flash module, various sizes available
CFASTx	Industrial grade CFast, various sizes available
REAR TRANSITION MODULES	
CP-RI03-04	4HP rear I/O module (2x Ethernet, 2x USB, VGA, 2x SATA connectors)
CP-RI03-04	8HP rear I/O module (in addition to 4HP: COM1/2)
CP-RI03-04S	4HP rear I/O module (2x Ethernet, COM, VGA, 2x SATA connectors)
SOFTWARE	
VXW-BSP-CP3004-SA-V6.9.x	VxWorks 6.9.x Board Support Package
LINUX BSP	Available as download on the webpage
WINDOWS PACKAGES	Available as download on the webpage
NOTES	The SATA NAND Flash module cannot be used in conjunction with the CP3004-HDD/CP3004-XMC module

▶ CORPORATE OFFICES

EUROPE, MIDDLE EAST & AFRICA

Lise-Meitner-Str. 3-5
 86156 Augsburg
 Germany
 Tel.: + 49 821 4086 0
 Fax: + 49 821 4086 111
 info@kontron.com

NORTH AMERICA

14118 Stowe Drive
 Poway, CA 92064-7147
 USA
 Tel.: + 1 888 294 4558
 Fax: + 1 858 677 0898
 info@us.kontron.com

ASIA PACIFIC

1-2F, 10 Building, No. 8 Liangshuihe 2nd Street,
 Economical & Technological Development Zone,
 Beijing, 100176, P.R.China
 Tel.: +86 10 63751188
 Fax: +86 10 83682438
 info@kontron.cn