

CP6930-RM

RACKMOUNT SWITCH



20/32 PORT RUGGED 1/10 Gigabit ETHERNET RACK MOUNT SWITCH

- ▶ powerful
- ▶ flexible & scalable
- ▶ rugged levels for demanding application requirements

POSSIBILITIES START HERE



CP6930-RM

FULLY MANAGED 10GbE PERFORMANCE IN 19 INCH RACK FORMAT

The Kontron CP6930-RM is a 19 inch, 1U/2U, non blocking fully managed L2/L3 1/10 Gigabit Ethernet Switch and provides rich and versatile feature support by using highest integration of Ethernet switch silicon.

Switching Capacity

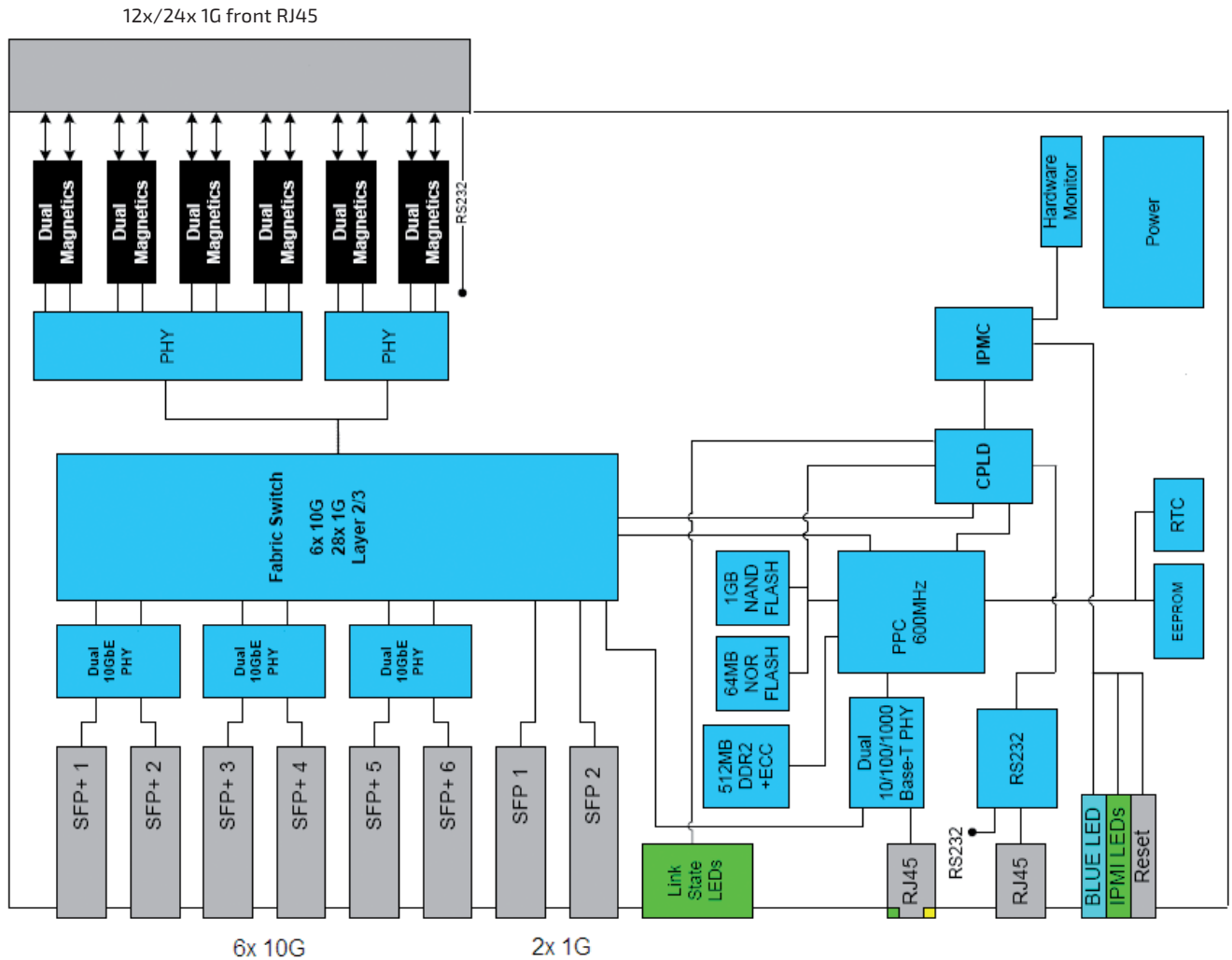
The CP6930 is designed for future oriented applications requiring outstanding switching capacity and communication safety. 6 SFP+ front ports running at 10 Gigabit/s full line speed and 2 SFP ports at the front providing 1 Gigabit support gives flexibility and an intrinsic value for today's investments. The 24 copper ports fulfill the requirement of highest computing performance and system integration.

Reliability

The robust design features including easy maintenance as well as complete SNMP management support sets the foundation for robust and reliable systems. Built-In test capabilities enable effective switch maintenance.

Management

The CP6930-RM can be monitored via SNMP. A comprehensive command line interface provides easy management and remote configuration by either serial or network interface. Support for features like IP forwarding & Multicast, Routing & Switching, Quality of Service, VLANs it is an ideal switch for reliable applications.



TECHNICAL INFORMATION

COMPLIANCY		Intelligent Platform Management Interface Specification V1.5 ANSI/Vita 47-2005 IEC 60068-2-6, IEC 60068-2-27, IEC 60068-2-29 EN 60950-1, UL60950-1
INTERFACES		6x 10GBase-X SFP+ transceiver cages, configurable for 1GBase-X operation using SFP optical transceivers or direct attach copper 2x 1GBase-X SFP transceiver cages including SGMII support for 'Copper-SFPs', providing 10/100/1000Base-T modes of operation 12x 10/100/1000Base-T RJ45 ports or 24x 10/100/1000Base-T RJ45 ports 1x 10/100/1000Base-T for Management (RJ45 connector) 1x RS232 for Management (RJ45 connector) Reset Switch Status LEDs
CONTROLLER & SWITCH		Broadcom 10G/1G Ethernet Switch with up to 170Gb/s throughput PowerPC IBM PPC 600 MHz with 512 MByte DDR2 RAM uController for IPMI (Intelligent Platform Management Interface)
MANAGEMENT		Management via SNMP, Command Line (Telnet, SSH) - In-band - Out of band via Ethernet or RS232 IPMI version 1.5, Power On Self Test DHCP server, relay and Boot media support Reliable software, field upgradable Dual boot images with roll-back capabilities Advanced management monitoring features Ethernet/Bridging protocols include - Link aggregation (802.3ad) - VLANs (802.1Q) - QoS (IEEE 802.1p) - Spanning tree (802.1D, 802.1w) - Flow control (802.3x) - GARP/GVRP, GMRP - ARP, ICMP, OSPF, RIP, VRRP, DVMRP Enhanced Features are - Egress ACLs, IP ACL support - Auto VoIP - IGMP snooping & proxy support - Startup configuration configurable - Watchdog - Cable test
GENERAL	POWER CONSUMPTION DIMENSIONS WEIGHT MTBF TEMPERATURE RANGE HUMIDITY	110/230VAC, max. 60 W, optionally 24VDC / 48 VDC CP6930-RM-12 (1U) 445 mm x 45 mm x 300 mm (wxhxd) CP6930-RM-24 (2U) 445 mm x 90 mm x 300 mm (wxhxd) CP6930-RM-12: 5.2 kg CP6930-RM-24: 6.6 kg Approx 200,000h acc. Telcordia Issue 1, Method I Case 3 Ground Benign, Controlled 0° C to +55° C 93 % RH at 40° C, non-condensing (acc. to IEC 60068-2-78)

ORDERING INFORMATION

ARTICLE	DESCRIPTION
CP6930-RM-12	Fully managed L2/L3 Rack Mount Switch, 6x 10G SFP+, 2x 1G SFP, 12x 1G RJ45 0° C to 55° C operating temperature, 1U
CP6930-RM-24	Fully managed L2/L3 Rack Mount Switch, 6x 10G SFP+, 2x 1G SFP, 12x 1G RJ45 0° C to 55° C operating temperature, 2U
OPTIONS	For extended temperature Rack Mount Switches, M12 Industrial Ethernet, 36/48/72VDC support and redundant power supplies, contact your local KONTRON sales office.

CORPORATE OFFICES

EUROPE, MIDDLE EAST & AFRICA

Lise-Meitner-Str. 3-5
86156 Augsburg
Germany
Tel.: + 49 821 4086 0
Fax: + 49 821 4086 111
info@kontron.com

NORTH AMERICA

14118 Stowe Drive
Poway, CA 92064-7147
USA
Tel.: + 1 888 294 4558
Fax: + 1 858 677 0898
info@us.kontron.com

ASIA PACIFIC

1-2F, 10 Building, No. 8 Liangshuihe 2nd Street,
Economical & Technological Development Zone,
Beijing, 100176, P.R.China
Tel.: +86 10 63751188
Fax: +86 10 83682438
info@kontron.cn