

# » DP1A-6300F-B1 «



## 300 Watt

- » -48 VDC input
- » +3.3 V and +5 V sense line
- » Ball-bearing fan

## DP1A-6300F-B1

### 300 Watt

By its – 48 VDC input the high-quality 300 W ATX power supply DP1A-6300F-B1 is the ideal power supply for computer systems used in automation or mobile systems. Due to its widerange input from – 36 to

– 72 V DC it remains unaffected by input voltage fluctuations. Thanks to the softstart function the DP1A- 6300F-B1 does require no higher inrush current as compared to normal operation.

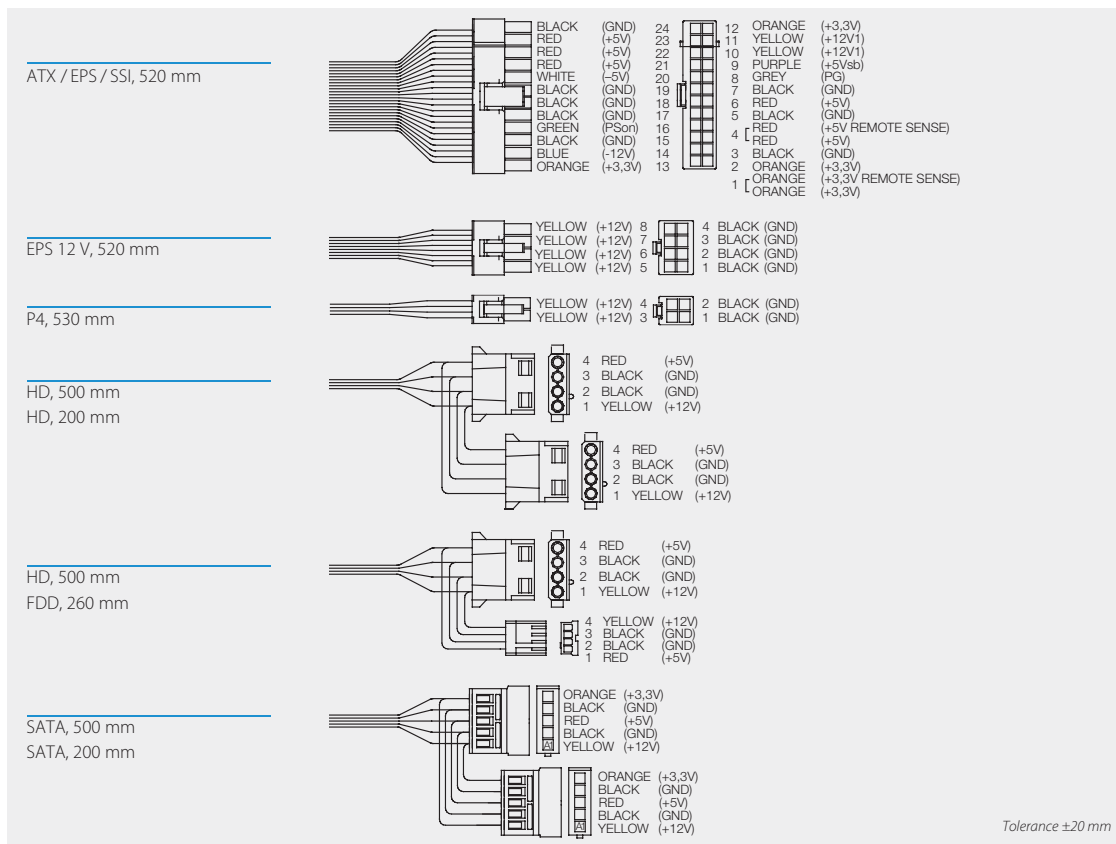
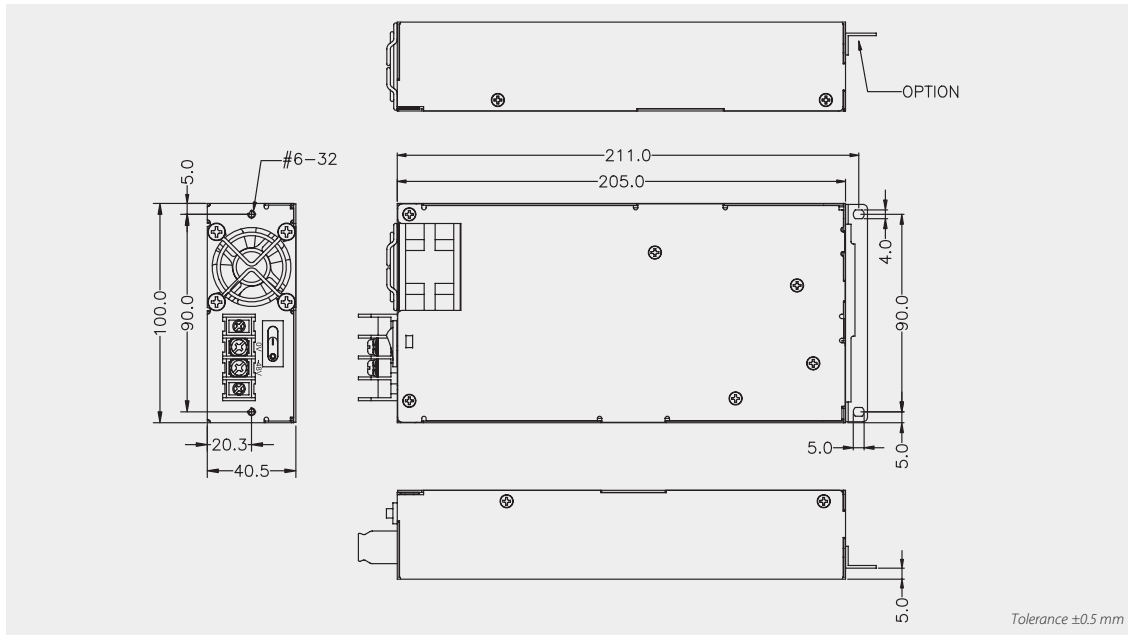
#### Technical Information

<b>Input voltage</b>	-48 VDC (-36 - -72 V DC)
<b>Input current</b>	10 A max. (-48 V DC), full load
<b>Inrush current</b>	<10 A (softstart function)
<b>Efficiency</b>	≥65 %
<b>Hold up time</b>	>1.6 ms
<b>Power-Good-Signal</b>	Switch on delay 100 - 500 ms
<b>Protection</b>	Short circuit protection: +3.3 V, +5 V, +12 V, switch off/-5 V, -12 V, +5 Vsb, auto-recovery Overload protection: 110-150 %, switch off Overvoltage protection: +3.3 V (+3.9 - +5 V), +5 V (+5.5 - +6.5 V), +12 V (+13 - +15 V)
<b>Insulation voltage</b>	Input / Chassis 1500 V AC Input / Output 1500 V AC
<b>Operating temperature</b>	0°C to +60°C
<b>Derating</b>	+40°C to +60°C, 1.0 % / °C
<b>MTBF</b>	103 000 h at +25 °C with fan (MIL-HDBK-217F)
<b>Storage temperature</b>	-20°C to +80 °C
<b>Operating humidity</b>	20% to 85% RH, non-condensing
<b>Dimensions (W x D x H)</b>	100 x 205 x 40.5 mm ±0.5 mm
<b>Weight (net)</b>	1.4 kg
<b>Remote On/Off</b>	Logic level LOW: Output voltages enabled Logic level HIGH: Output voltages disabled

#### Ordering Information

Article No.	Output voltage	Output current min	Output current max	Load regulation	Ripple & Noise
DP1A-6300F-B1	+3.3 V	1 A	20 A	±5 %	80 mV
	+5 V	3 A	24 A	±5 %	50 mV
	+12 V	2 A	20 A	±5 %	120 mV
	-12 V	0.05 A	0.5 A	±5 %	150 mV
	-5 V	0.05 A	0.5 A	±5 %	120 mV
	+5 Vsb	0.1 A	2.5 A	±5 %	50 mV

Drawing DP1A-6300F-B1



**CORPORATE OFFICES****Europe, Middle East & Africa**

Lise-Meitner-Str. 3-5  
86156 Augsburg  
Germany

Tel.: +49 (0) 821 4086-0  
Fax: +49 (0) 821 4086 111  
sales@kontron.com

**North America**

14118 Stowe Drive  
Poway, CA 92064-7147  
USA

Tel.: +1 888 294 4558  
Fax: +1 858 677 0898  
info@us.kontron.com

**Asia Pacific**

17 Building,Block #1, ABP.  
188 Southern West 4th Ring Road  
Beijing 100070, P.R.China

Tel.: +86 10 63751188  
Fax: +86 10 83682438  
info@kontron.cn