

» R1S2-5380V4V-B1 «



380 Watt

- » Silent due to regulated fan
- » 2 power inputs
- » High efficiency up to 84 %

R1S2-5380V4V-B1

380 Watt

The 1+1-redundant R1S2-5380V4V-B1 is designed for 19" rack server as well as storage and network systems. If one plug-in power supply fails, the remaining unit takes over the full load without interruption. The defect plug-in unit can be exchanged during operation (hot-swap) of

the system and thus guarantees an extremely high availability. Due to the separate power inputs supply from separate power networks is also possible (UPS).

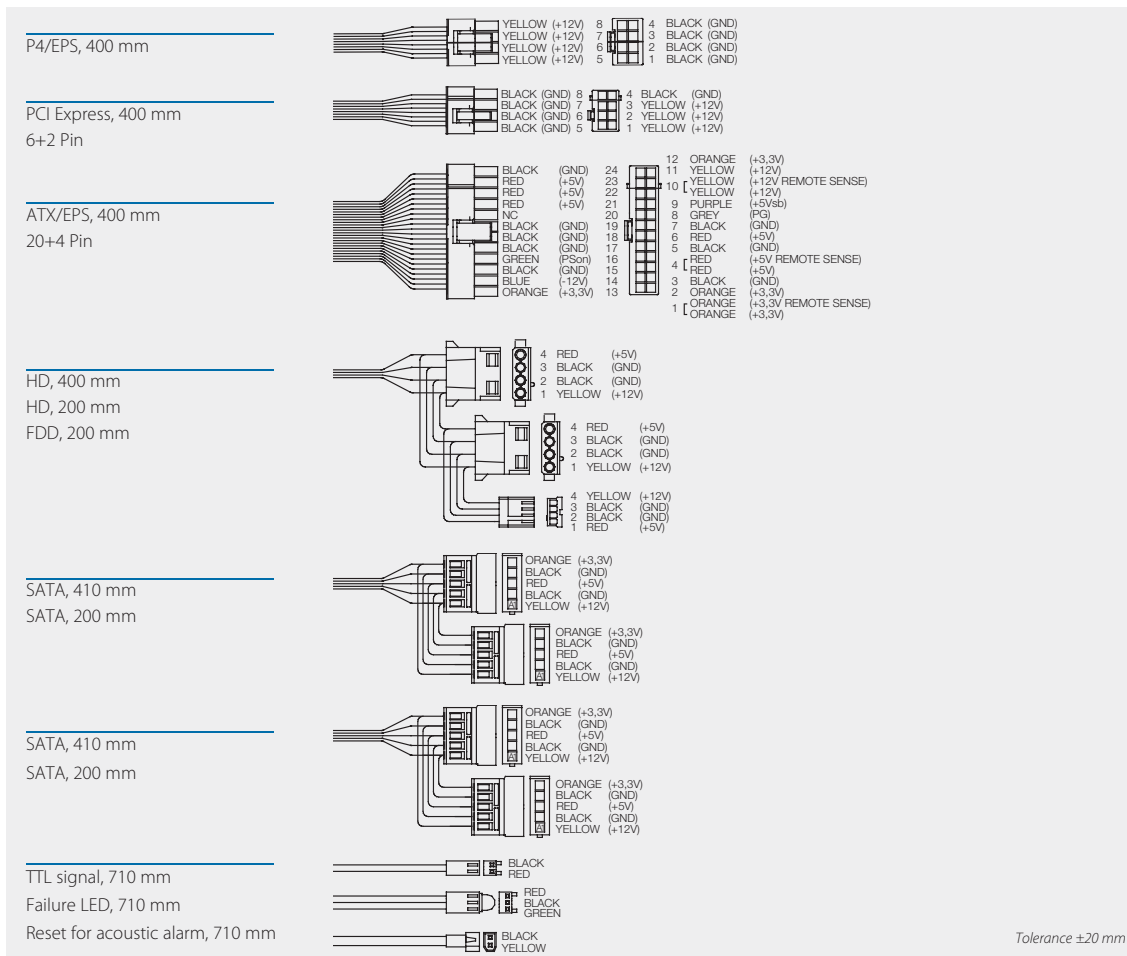
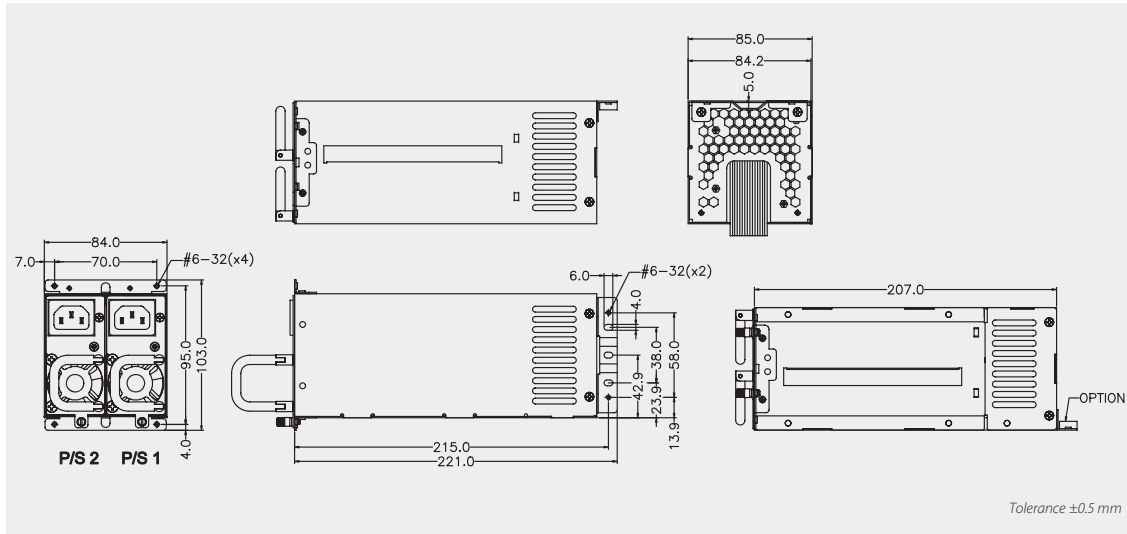
Technical Information

Input voltage	90 - 264 V AC, active PFC
Input frequency	47 - 63 Hz
Input current	5.5 A (115 V AC) / 2.5 A (230 V AC)
Inrush current	60 A (115 V AC) / 80 A (230 V AC)
Efficiency	Up to 82 %
Hold up time	>16 ms
Power-Good-Signal	Switch on delay 100 - 500 ms
Protection	Short circuit protection: At each output Overvoltage protection: +3.3 V (+3.6 - +4.3 V) / +5 V (+5.5 - +6.7 V) / +12 V (+13 - +15 V) Overload protection: 110 - 160 %
Insulation voltage	Input / Chassis: 1500 V AC Input / Output: 3000 V AC
Earth leakage current	<3.5 mA bei 250 V AC
Safety / EMC	UL 60950-1 / EN 60950-1 / IEC 60950-1 / CE
Operating temperature	0°C to +60°C
Derating	In the range of +40°C - +60°C, 1 % / °C
MTBF	223 000 h at +25 °C with fan according to MIL-HDBK-217F
Storage temperature	-20°C to +80 °C
Operating humidity	20% to 85% RH, non-condensing
Dimensions (W x D x H)	85 x 207 x 84 mm ±0.5 mm
Weight (net)	3.5 kg
Alarm functions	1. TTL signal, 2. Failure LED, 3. Reset for acoustic alarm

Ordering Information

Article No.	Output voltage	Output current min	Output current max	Load regulation	Ripple & Noise
R1S2-5380V4V-B1	+3.3 V	0.5 A	20 A	±5 %	50 mV
	+5 V	0.5 A	20 A	±5 %	50 mV
	+12 V	2 A	30 A	±5 %	120 mV
	-12 V	0.5 A	0.5 A	±10 %	120 mV
	+5 Vsb	0.1 A	2.5 A	±5 %	50 mV

Drawing R1S2-5380V4V-B1



CORPORATE OFFICES**Europe, Middle East & Africa**

Lise-Meitner-Str. 3-5
86156 Augsburg
Germany

Tel.: +49 (0) 821 4086-0
Fax: +49 (0) 821 4086 111
sales@kontron.com

North America

14118 Stowe Drive
Poway, CA 92064-7147
USA

Tel.: +1 888 294 4558
Fax: +1 858 677 0898
info@us.kontron.com

Asia Pacific

17 Building,Block #1, ABP.
188 Southern West 4th Ring Road
Beijing 100070, P.R.China

Tel.: +86 10 63751188
Fax: +86 10 83682438
info@kontron.cn