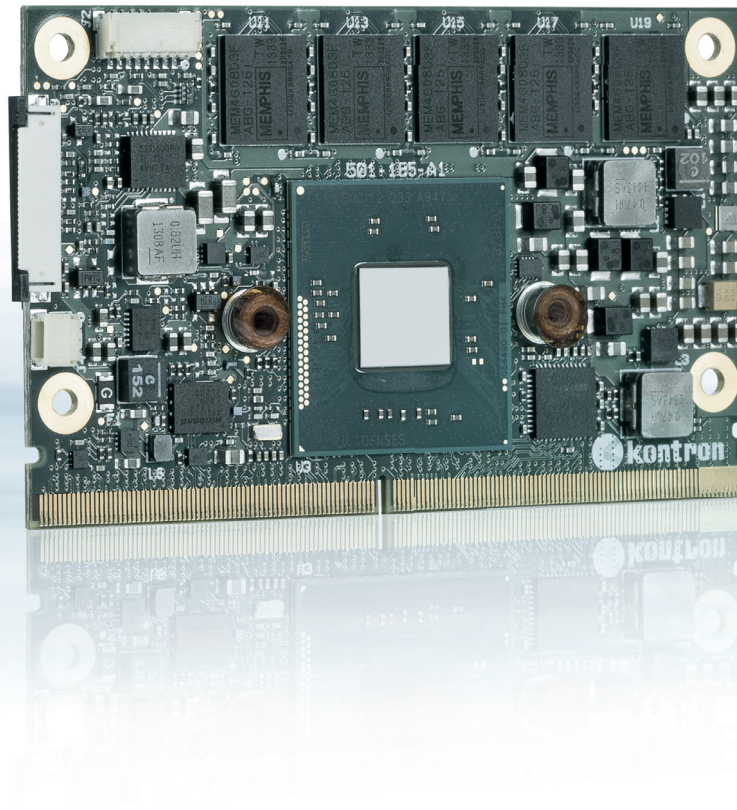


SMARC-sXBTi



Intel® Atom™ E3800 SERIES

- ▶ up to 8GB DDR3L memory down (ECC optional)
- ▶ 1x USB 3.0, 3x USB 2.0 (optional 1 OTG)
- ▶ eMMC Flash, SDIO, 2x SATA
- ▶ industrial grade temperature

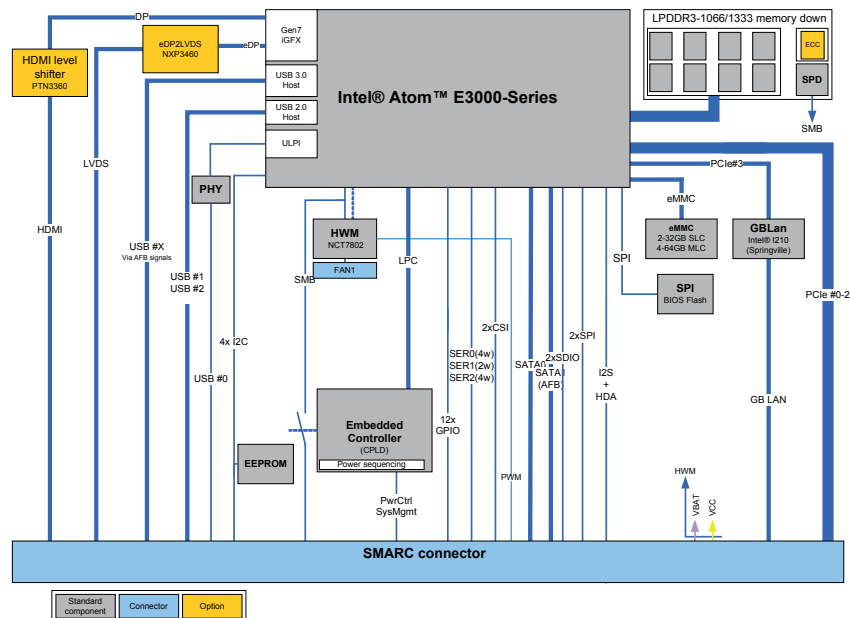
POSSIBILITIES START HERE



kontron

TECHNICAL INFORMATION

DIMENSIONS (H X W X D)	82 x 50mm
CPU	Intel® Atom™ E3845, E3827, E3826, E3825 or E3815
MAIN MEMORY	Up to 8GB DDR3L-1333 memory down (ECC optional)
GRAPHICS CONTROLLER	Intel® HD Graphics (Gen7)
ETHERNET CONTROLLER	Intel® i210IT
ETHERNET	10/100/1000 MBit Ethernet
SATA	1x SATA 3Gb/s
FLASH ONBOARD	2-64GB eMMC
PCI EXPRESS® / PCI SUPPORT	3x PCIe x1
PANEL SIGNAL	LVDS Single Channel 18/24 bit or eDP, HDMI or DP
USB	3x USB 2.0 1x USB 3.0 (via AFB)
SERIAL	1x RX/TX (Ser0) 2x UART (Ser1/3)
INTERFACE	HD Audio and I2S, 5x I2C, 2x SPI, Camera Interface (2x MIPI CSI)
OPERATING SYSTEM	Windows® 8, Windows® 7, WEBS, WES7, WEC7, Linux, VxWorks
POWER SUPPLY	3V - 5.25V Operates directly from single level Lithium Ion cells or fixed 3.3V or 5V power supplies
TEMPERATURE	-40°C to +85°C operating, -40°C to +85°C non-operating
HUMIDITY	93% relative Humidity at 40°C, non-condensing (according to IEC 60068-2-78)



CORPORATE OFFICES

EUROPE, MIDDLE EAST & AFRICA

Lise-Meitner-Str. 3-5
86156 Augsburg
Germany
Tel.: + 49 821 4086 0
Fax: + 49 821 4086 111
info@kontron.com

NORTH AMERICA

14118 Stowe Drive
Poway, CA 92064-7147
USA
Tel.: + 1 888 294 4558
Fax: + 1 858 677 0898
info@us.kontron.com

ASIA PACIFIC

1-2F, 10 Building, No. 8 Liangshuihe 2nd Street,
Economical & Technological Development Zone,
Beijing, 100176, P.R.China
Tel.: +86 10 63751188
Fax: +86 10 83682438
info@kontron.cn