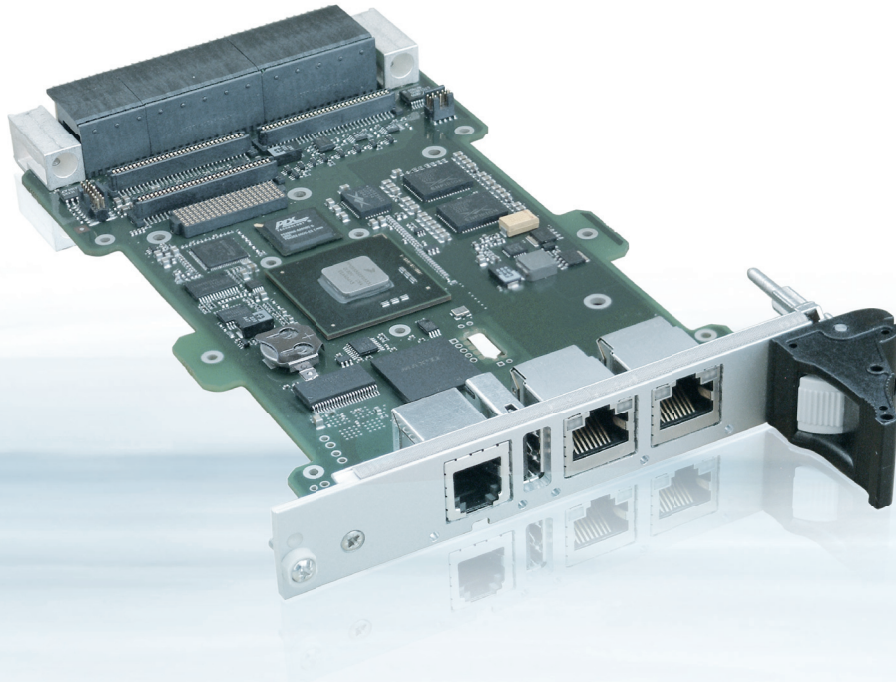


VX3230



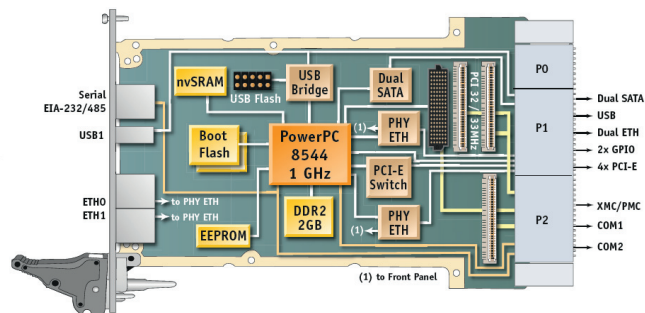
ULTRA LOW POWER 3U VPX SINGLE BOARD COMPUTER

- ▶ VX3230 SBC implements VITA 46.0, 46.4, 46.7
- ▶ PCIe (4x), SATA, gigabit ethernet on the VPX backplane
- ▶ 1 GHz Freescale MPC8544 PowerPC processor
- ▶ air-cooled and rugged conduction-cooled builds

POSSIBILITIES START HERE



The VX3230 is the first member of the new Kontron's VITA 46 VPX range of products. Its 1 GHz 8544 PowerPC processor gives you coolest implementation of a E500 core with plenty of features. With a requirement as low as 15 Watts (typ.) between -40° and + 85° C, the VX3230 is a major breakthrough for small form factor rugged computers. Applications targeting Vetronics and onboard UAV which operate on a tight power budget will welcome its innovative design.



TECHNICAL INFORMATION

SYSTEM PROCESSOR	Freescale MPC8544 running at 1 GHz 32-bit PowerPC E500 Core Double precision embedded scalar and vector floating-point APUs Memory Management Unit (MMU) Integrated Security Engine
SYSTEM MEMORY	1 GByte of DDR2-533 SDRAM with ECC support
FLASH DISK SUPPORT	Innovative USB connector allows concurrent Flash disk module AND PMC support
I/O CONNECTIONS	Dual Gigabit Ethernet: dual ports configurable either on the front RJ-45 or on the rear VPX backplane connector Dual SATA-150 ports USB 2.0 port on rear VPX backplane switch interface: PCI-Express x4 Front Panel Interfaces: 2 build options - XMC/PMC front panel, no front Ethernet port - Dual Gigabit Ethernet and USB ports, no XMC/PMC

ENVIRONMENTAL SPECIFICATION

	SA - STANDARD COMMERCIAL	RC - RUGGED CONDUCTION-COOLED
CONFORMAL COATING	Optional	Standard
AIRFLOW	1.5 m/s without throttling at 55° C	na
TEMPERATURE	VITA 47-Class AC1	VITA 47-Class CC4
COOLING METHOD	Convection	Conduction
OPERATING	0° to +55° C	-40° to +85° C
STORAGE	-45° to +85° C	-45° to +85° C
VIBRATION SINE (OPERATING)	20-500 Hz - 2 g	20-2,000 Hz - 2 g
RANDOM	VITA 47-Class V1	VITA 47-Class V3
SHOCK (OPERATING)	20g/11 ms Half Sine	40g/11 ms Half Sine
ALTITUDE (OPERATING)	-1,500 to 60,000 ft	-1,500 to 60,000 ft
RELATIVE HUMIDITY	90 % without condensation	95 % without condensation

ORDERING INFORMATION

ARTICLE	PART NO.	DESCRIPTION
VX3230-SA	VX3230-SAA1N-000	VX3230 Air-Cooled Commercial Build, 1 GByte SDRAM DDR2, USB Flash Disk slot and XMC/PMC slot
VX3230-SA	VX3230-SAA1N-001	VX3230 Air-Cooled Commercial Build, 1 GByte SDRAM DDR2, USB Flash Disk slot, no XMC/PMC slot
VX3230-RC	VX3230-RCA1N-000	VX3230 Rugged Conduction-Cooled Build, 1 GByte SDRAM DDR2, USB Flash Disk slot and XMC/PMC slot
VX3230-RTM	PB-VX3-000	VX3230 VPX Rear Transition Module with PIM connector
VX3230-RTM	PB-VX3-001	VX3230 VPX Rear Transition Module with onboard I/O
USB FLASH DISK	FDM-USB-xx	USB Flash Disk Module (please contact Kontron for the available capacity)

CORPORATE OFFICES

EUROPE, MIDDLE EAST & AFRICA

Lise-Meitner-Str. 3-5
86156 Augsburg
Germany
Tel.: + 49 821 4086 0
Fax: + 49 821 4086 111
info@kontron.com

NORTH AMERICA

14118 Stowe Drive
Poway, CA 92064-7147
USA
Tel.: + 1 888 294 4558
Fax: + 1 858 677 0898
info@us.kontron.com

ASIA PACIFIC

1-2F, 10 Building, No. 8 Liangshuihe 2nd Street,
Economical & Technological Development Zone,
Beijing, 100176, P.R.China
Tel.: +86 10 63751188
Fax: +86 10 83682438
info@kontron.cn

Copyright © 2015 Kontron AG. All rights reserved. All data is for information purposes only and not guaranteed for legal purposes. Information has been carefully checked and is believed to be accurate; however, no responsibility is assumed for inaccuracies. Kontron and the Kontron logo and all other trademarks or registered trademarks are the property of their respective owners and are recognized. Specifications are subject to change without notice. (CP5-2015)3119-1/MT1