

## » CP307-V «



## 3U Intel® Celeron® M Value Line CPU

» **Performance / Cost optimized**

Intel® Celeron® M processor 1.86 GHz (440)

» **Industry tailored**

Passive heatsink, robust formfactor

» **Comprehensive I/O capabilities**

GigEthernet, USB, VGA, DVI, SATA, CompactFlash...

## CP307-V

### 3U Intel® Celeron® M Value Liune CPU

Kontron introduces a new Value Line CompactPCI® board in 3U height, the CP307-V. It comes with the Intel® Celeron® processor 1.86 GHz and is designed for price-sensitive applications.

The CP307-V CompactPCI® system controller board based on the 1.86 GHz Intel® Celeron® M processor 440 with 533 MHz front side bus, together with the Intel® Mobile 945GM Express chipset and ICH7-R Southbridge combines the capabilities of an all-in-one industrial PC with the advantages of a robust 3U CompactPCI design.

#### Optimized cost-value ratio

The CP307-V is tailored for cost-sensitive applications without compromising on the processor performance. The optimized cost-value ratio is achieved by graphic support coming along with the chipset, memory as one inexpensive SODIMM SDRAM DDR2 socket (scalable at three levels, with 512 MB, 1 GB, or 2 GB) and taking advantage of selecting value oriented components. The combination of CP307-V and CP-ASM4-POCKET chassis - Kontron's price-optimized housing for CompactPCI systems - recommends itself as an attractive solution for price-sensitive industrial applications, such as those found in production control, machine or facilities construction.

#### All-in-One industrial PC

The CP307-V, a 3U CompactPCI® CPU board incorporates Intel®'s latest processor technology based on a new 65nm manufacturing process. The compact design comes with all necessary industry-required interfaces such as serial port, graphics connection, Ethernet access, USB ports, HDD support.

#### Greater Graphic Performance

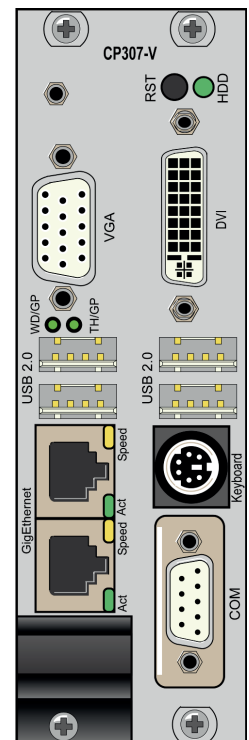
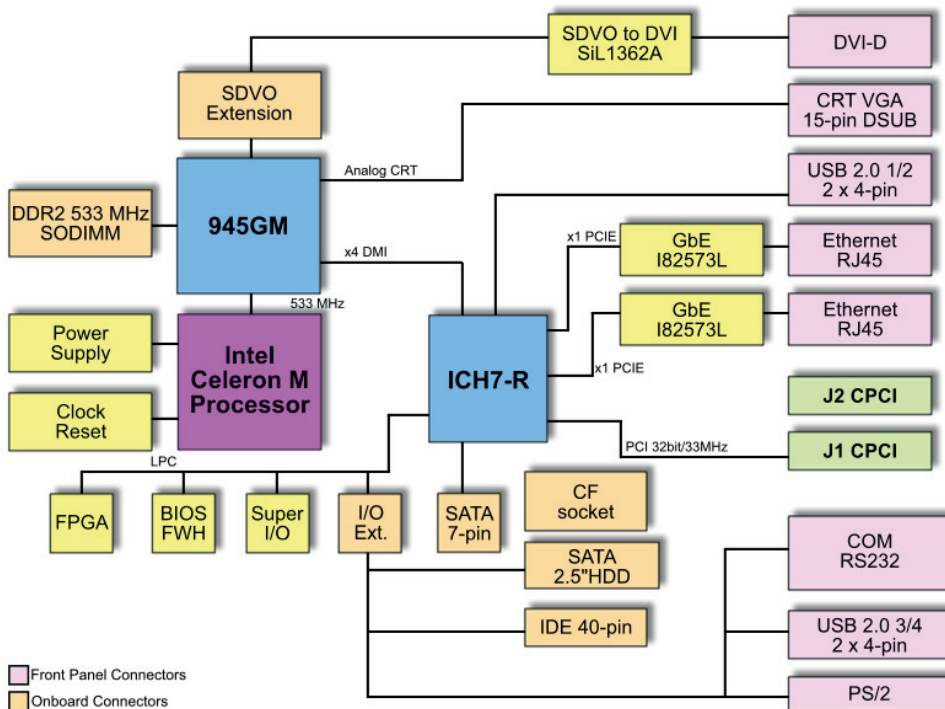
Combined with the Mobile Intel® 945GM Express chipset featuring Intel®'s latest Graphics Media Accelerator the CP307-V delivers up to 2x improvement in graphics performance with exceptional 3D graphics performance and enables up to 25% higher data transfer compared to previous platform designs. As a dual display solution the CP307-V offers a standard analog CRT connection with integrated 400 MHz RAMDAC and an independent DVI interface.

#### Comprehensive I/O Connectivity

The CP307-V comes with a comprehensive I/O connectivity supporting 4 x USB 2.0, PS-2, COM and 2 x GBit Ethernet where as high network bandwidth is guaranteed through PCI-Express as data bus to the Ethernet channels eliminating the bottleneck of parallel PCI bus. 2x SATA-300 interfaces one with on board 2.5 HDD mounting capability in addition, a CompactFlash socket allows for versatile storage media access.

#### Longterm Availability

Delivering a stable product based on Intel®'s embedded product line the CP307-V ensures longterm availability. This eliminates the risk of unplanned design changes and unexpected expensive application modification. While minimizing deployment risks by providing a broad range of software support the CP307-V eases the process of product integration and maximizes your competitive advantage to meet your timetomarket window.



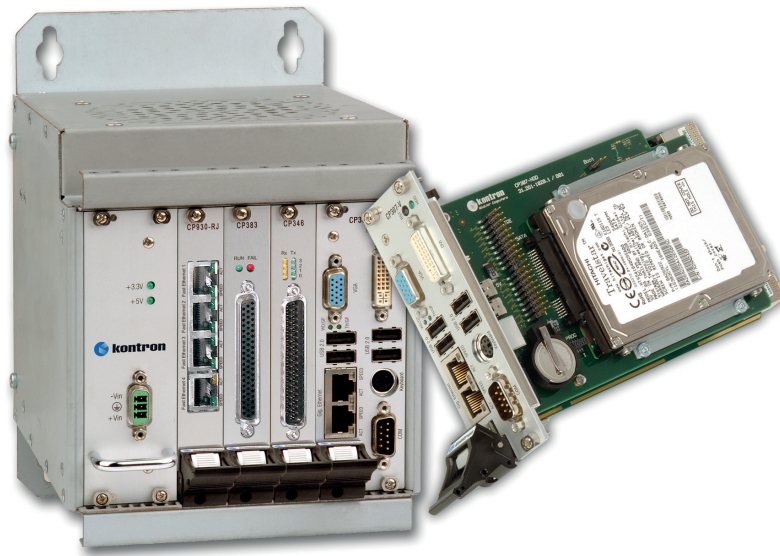
## Technical Information

<b>System Processor</b>	Intel® Celeron® M processor 440 in micro-FCBGA package (Intel® Core™ Solo but 1 MB L2): 1.86 GHz, 553 MHz FSB, 1 MB L2, FCBGA
	The CP307-V is passive cooled. Forced air cooling at a specific flow rate is required depending on processor version.
<b>Memory</b>	System memory: Up to 2 GByte DDR2 533 MHz memory via SODIMM-socket for max. 2 GByte memory module (no ECC) Flash (BIOS): 1 MB Firmware hub (FWH) EPROM: Serial EEPROM (24LC64) 64 kbit for CMOS data storing (no battery operation)
<b>Mass Storage</b>	Two Serial ATA (SATA) interfaces with RAID functionality: One standard SATA interface One SATA interface for mounting a 2.5 HDD on mezzanine One IDE Ultra ATA/100 interface on mezzanine Onboard CompactFlash socket for type I and type II CompactFlash cards (True IDE with DMA)
<b>Onboard Controller</b>	
GMCH Graphic Memory Controller Hub	Intel® 945GM chipset DDR2 memory controller Internal Graphics controller with dual independent VGA channels
I/O Controller Hub	Intel® ICH7R 2 SATA II controller, 4 x USB 2.0, 2x 1 PCI Express®, 1x 32-bit/33MHz PCI integrated on CP307-V
VGA	Integrated in 945GM max. 2048 x 1536 pixels (QXGA), 16M colors, @75Hz, CRT and DVI
Gigabit Ethernet	2x GbE, 82573L PCI-Express controller
Super I/O	LPC Super I/O from SMSC SCH3112I-NU with 2x UART, HWMonitor, PS/2
Watchdog	Timeout 125ms to 256s programmable in 12 steps, NMI, IRQ, Reset, dual-stage
RTC	Integrated in ICH7R with 256 bytes of battery-backed CMOS, RAM
<b>Front Panel Interfaces</b>	
Ethernet	2x RJ45 with integrated LEDs (ACT, SPEED)
VGA	1x VGA-CRT 15-pin D-Sub connector
DVI	1x 29-pin DVI-D connector
USB	4x 4-pin connectors
COM	1x 9-pin D-Sub connector
PS/2	1x 6-Pin shielded mini-DIN connector
LEDs	Thermal, Watchdog or both general purpose
Control	Reset button and HDD LED
<b>CompactPCI® Bus Interface</b>	PICMG 2.0 Rev. 3.0 compatible, 32-bit/33MHz System master 5V VI/O (3.3V on request), 7 Req/Gnt & clock lines
<b>Supervisory Functions</b>	Watchdog, software configurable, 125 msec to 256 sec. in 12 steps, generates IRQ, NMI or hardware reset, two stage configuration for NMI and Reset Hardware monitoring SCH3112 for thermal control, fan-sense/control and all important onboard voltages
<b>Hot Swap</b>	Support for all signals to allow peripheral boards to be hot swapped. The individual clocks for each slot and access to the backplane ENUM# signal comply with the PICMG 2.1 Hot-Swap specification.
<b>Compliance</b>	CompactPCI Core Specification PICMG 2.0 Rev. 3.0 CompactPCI Hot Swap Specification PICMG 2.1 Rev. 2.0 Designed to meet or exceed: Safety: UL 1950, UL 94, CSA 22.2 No 950, EN 60950, IEC 950 EMI/EMC: EN 55022 / EN 55024, EN 50081-1 / EN 6100-6-2"
<b>General</b>	Dimensions: 100mm x 160mm Weight: 400g / 8HP MTBF: 141,543 h acc. to MIL-HDBK 217FN2, Ground Benign GB, controlled at 30°C
<b>Software Support</b>	AMI BIOS with POST codes, setup console redirection to serial port (VT100 mode) with CMOS setup access, BIOS parameters saved in EEPROM, diskless, keyboardless, LAN boot support. Board identification number accessible via EEPROM Support for Windows XP, XP Embedded, Linux (other OSs may be possible, please contact us for information).
<b>Power Consumption</b>	1.86 GHz Celeron® M and 1GB memory: typ. 20W
<b>Environmental</b>	Operating temp.: 0°C to +60°C (depending on available airflow in the system) Storage temp.: -55°C to +85°C Climatic Humidity: non condensing 93% at 40°C (acc. to IEC 60068-2-78) Altitude: 50,000 ft. (15,240 m)

## Ordering Information

Article	Part No.	Description
<b>CPU Baseboard</b>		
<a href="#">CP307-V-1.86-1G-5V <sup>1)</sup></a>	35889	1.86 GHz Celeron® M (440), 1MB L2 cache, 1GB SODIMM module, 5VI/O Front I/O: 2x Ethernet, 4x USB, VGA, DVI, COM, PS/2, LEDs, Reset button
<b>Accessories</b>		
<a href="#">CFxxxx</a>		Various sizes of CompactFlash up to 8GB
<a href="#">CP-HDD-2.5-SATA-xxx</a>		Various sizes of onboard 2.5" SATA HDD
<b>Software</b>		
<a href="#">KIT-CP307/-V</a>	33997	Windows XP Board Support Package, CP307-V User's Manual
<a href="#">LIN-BSP-CP307/-V</a>	33998	Linux Board Support Package, CP307-V User's Manual
<b>Chassis</b>		
<a href="#">CP-ASM4-POCKET</a>	27536	4U / 28HP rack with 4-slot CompactPCI backplane and 75 Watt DC PSU
<a href="#">CP-ASM4-POCKET</a>	27537	4U / 28HP rack with 4-slot CompactPCI backplane and 75 Watt AC PSU

Note: <sup>1)</sup> contact your local sales office for versions with other memory sizes



## CORPORATE OFFICES

**Europe, Middle East & Africa**

Lise-Meitner-Str. 3-5  
86156 Augsburg  
Germany

Tel.: +49 (0) 821 4086-0  
Fax: +49 (0) 821 4086 111  
sales@kontron.com

**North America**

14118 Stowe Drive  
Poway, CA 92064-7147  
USA

Tel.: +1 888 294 4558  
Fax: +1 858 677 0898  
info@us.kontron.com

**Asia Pacific**

17 Building,Block #1, ABP.  
188 Southern West 4th Ring Road  
Beijing 100070, P.R.China

Tel.: +86 10 63751188  
Fax: +86 10 83682438  
info@kontron.cn