

▶ KT-RT-15



User's Manual

VERSION 1.0



KT-RT-I5 User's Manual

Kontron AG would like to point out that the information contained in this manual may be subject to technical alteration, particularly as a result of the constant upgrading of Kontron products. The attached documentation does not entail any guarantee on the part of Kontron AG with respect to technical processes described in the manual or any product characteristics set out in the manual. Kontron AG does not accept any liability for any printing errors or other inaccuracies in the manual unless it can be proven that Kontron AG is aware of such errors or inaccuracies or that Kontron AG is unaware of these as a result of gross negligence and Kontron AG has failed to eliminate these errors or inaccuracies for this reason. Kontron AG expressly informs the user that this manual only contains a general description of technical processes and instructions which may not be applicable in every individual case. In cases of doubt, please contact Kontron AG.

This manual is protected by copyright. All rights are reserved by Kontron AG. Copies of all or part of this manual or translations into a different language may only be made with the prior written consent of Kontron AG. Kontron AG points out that the information contained in this manual is constantly being updated in line with the technical alterations and improvements made by Kontron AG to the products and thus this manual only reflects the technical status of the products by Kontron AG at the time of printing.

© 2015 by Kontron AG

Printing and duplication, even of sections, is only permissible with the express approval of

Kontron AG

Lise-Meitner-Str. 3-5

86156 Augsburg

Germany

<http://www.kontron.com>

Table of Contents

01/ About This Manual

| | |
|----------------------------------|---|
| 01.01. Related Information | 1 |
| 01.02. Conventions..... | 1 |

02/ Basic Safety Guidelines

| | |
|---|---|
| 02.01. Intended Use | 2 |
| 02.02. Maintenance and Operation Overview | 2 |
| 02.03. Safety..... | 3 |
| 02.04. Electrical Hazards..... | 3 |
| 02.05. Environmental..... | 3 |
| 02.06. Radio Transmissions | 4 |
| 02.07. Cleaning and Servicing..... | 4 |
| 02.08. Regulatory and Certification | 4 |
| 02.09. Lithium Battery Safety Statement | 5 |

03/ Introduction

| | |
|--|----|
| 03.01. About This Guide | 6 |
| 03.02. Unpacking the Device..... | 6 |
| 03.03. Technical Specifications..... | 6 |
| 03.04. KT-RT-I5 Configuration Options..... | 8 |
| 03.05. Parts List..... | 9 |
| 03.06. Identifying the Device | 10 |
| 03.07. Dimensions | 15 |
| 03.08. Touch Screen Features..... | 16 |

04/ Getting Started

| | |
|---|----|
| 04.01. First Time Use..... | 17 |
| 04.02. Charging the Battery..... | 18 |
| 04.03. Powering the Device On and Off | 19 |
| 04.04. Installing the Micro SIM Card..... | 20 |
| 04.05. Removing the Micro SIM Card..... | 21 |

| | |
|--|----|
| 04.06. Installing the MicroSD Card | 22 |
| 04.07. Removing the MicroSD Card | 23 |
| 04.08. Using the Stylus..... | 24 |
| 04.09. Removing the Protective Film from the Display | 24 |

05/ Operation

| | |
|--|----|
| 05.01. Opening the I/O Compartment Cover | 25 |
| 05.02. Closing the I/O Compartment Cover..... | 26 |
| 05.03. Connecting to External Cabling | 27 |
| 05.04. Handstrap, Carrying Handle and Shoulder Strap | 29 |
| 05.05. Installing the Standard Battery..... | 33 |
| 05.06. Removing the Standard Battery..... | 34 |
| 05.07. Connecting to a Wireless Network..... | 35 |

06/ Using BIOS Setup Utility

| | |
|---|----|
| 06.01. When to Use the BIOS Setup Utility | 37 |
| 06.02. Accessing the BIOS Setup Utility..... | 38 |
| 06.03. Installation an Operating System..... | 40 |
| 06.04. BIOS Passwords..... | 43 |
| 06.05. EC and BIOS | 45 |

07/ Using the KT-RT-Control Utility

| | |
|-----------------------|----|
| 07.01. Overview | 50 |
|-----------------------|----|

08/ Troubleshooting

| | |
|--|----|
| 08.01. Troubleshoot the Wi-Fi Connection | 52 |
| 08.02. Troubleshoot Operating the Computer | 53 |
| 08.03. Call Product Support..... | 53 |

09/ Maintenance

| | |
|-----------------------------------|----|
| 09.01. Cleaning the Device..... | 54 |
| 09.02. Returning the Device | 54 |
| 09.03. Contacting Kontron | 54 |

01 / About This Manual

The KT-RT-I5 User's Manual provides instruction for qualified personnel to follow when setting up a new KT-RT-I5 device.

This document is intended for use by qualified personnel to compliment the training and expertise, not to replace it.

01.01. Related Information

Current information and manuals are available for download at the following website:

<http://www.kontron.com>

01.02. Conventions

Bolded or underlined text is used to emphasize the designated information.



A Note is used to provide additional information for the device or settings.



A Caution is used to warn against potential hazards or to caution against unsafe practices.



A Warning is used to identify immediate hazards for property damage, injury or death.

02/ Basic Safety Guidelines

The following safety guidelines are intended to help protect the user from injury and prevent damage to the hardware.

- Do not place anything on the AC adapters power cable and make sure the cable is not located where it can be tripped over or stepped on.
- Do not cover the AC adaptor as it reduces the cooling
- Do not use the AC adapter while it is inside the carrying case.
- Use only the AC adapter, power cord, and batteries that are approved for use with the device. Use of another type of battery or AC adapter may cause risk of fire or explosion.
- If you use an extension cable with the AC adapter, ensure that the total ampere rating of all products plugged in to the extension cable does not exceed the ampere rating of the extension cable.
- If the device is moved between environments with very different temperature and/ or humidity ranges, condensation may form on or within the device. Avoid damaging the device by allowing sufficient time for the moisture to evaporate before using the device.
- When disconnecting cables, pull on the connector or on its strain relief loop, not on the cable itself. When pulling out or plugging in the connector, keep it evenly aligned to prevent bending the connector pins.

02.01. Intended Use

The KT-RT-I5 rugged tablet is equipped with multi-functional terminals for stationary and mobile applications in industrial environments such as logistics, warehousing, fleet management, manufacturing and the automotive industry.

Read the safety guidelines thoroughly before starting any servicing on the device. Read the guidelines before powering up the device, and keep this document for later use.

The operator is solely responsible for any damage resulting from unauthorized modifications to the device.

Unintended Application Use

The device is not designed for use in life-support systems or critical safety/security systems where system malfunction can lead to the direct or indirect endangerment of human life. The operator is fully responsible for using the device in these situations.

02.02. Maintenance and Operation Overview

The KT-RT-I5 is designed and manufactured according to strict controls and following the stated safety regulations. The following list identifies incorrect operating uses of the KT-RT-I5. Incorrect use of the KT-RT-I5 can lead to hardware damage, safety issues and possible risk to personnel health:

- The KT-RT-I5 is under operation by untrained personnel;
- The KT-RT-I5 is not maintained as recommended;
- The KT-RT-I5 is not used as intended.

02.03. Safety

To prevent injury and damage, read the following safety guidelines prior to operating the device. The manufacturer assumes no liability for any and all damages arising from misuse or noncompliance with these guidelines.

02.04. Electrical Hazards

Cleaning/Service: Power Off the KT-RT-I5

- Disconnect the KT-RT-I5 from power before cleaning or servicing it.

Power Adapter

Contact an authorized service personnel for repairs to the power pack. In the event of a blown fuse after replacing the fuse, contact an authorized service personnel to avoid electrical shock.

Use only Supplied Power Cables

Kontron power cables meet industrial requirements for low-temperature flexibility, UV resistance, and oil resistance. Use only supplied power cables from Kontron.

If other power cables are used, the following may apply:

- The operator is solely responsible for the resulting damage;
- All Kontron warranties are void.

Environmental Hazards

Do not use the KT-RT-I5 in locations near/with flammable gases or vapor.

The use of electrical equipment in explosive environments can be dangerous.

- Turn off the device when near a gas station, fuel depot, chemical plant or a place where blasting operations take place.

02.05. Environmental

Ambient Temperature

The KT-RT-I5 operates on the basis of a passive cooling concept which internal waste heat is released via the housing surface and requires fresh airflow in the environment.

- Operating the KT-RT-I5 with no fresh cooling air may cause overheating and damage to the device.
- The operating environment should not be enclosed to prevent the cool air being heated by the heat waste from the device.

Connecting and Disconnecting External Devices

To prevent the considerable damage, the KT-RT-I5 and the external device should be disconnected from power when connecting/disconnecting excluding USB devices.

Only Use Authorized Accessories

Only use the supplied cables, power packs and other accessories that have been tested and approved by Kontron. Contact your local distributor for further information.

02.06. Radio Transmissions

Permitted Transmission Power

Follow the national regulations for the maximum permitted transmission power.

The operator is solely responsible for this type of operation.

Radio Frequency Limited Locations

Considering the radio frequency limitation in hospitals and aircraft, the KT-RT-I5 can only be installed with permission.

Industrial computers may affect the function of implanted medical devices such as pacemakers and may cause malfunction.

02.07. Cleaning and Servicing

- Disconnect the KT-RT-I5 from power before cleaning or servicing.
- Never clean the KT-RT-I5 with compressed air, a pressure washer or a vacuum cleaner.
- If necessary, clean the housing of the KT-RT-I5 with a damp cloth.
- Clean the touch-screen with a nonabrasive cloth.

02.08. Regulatory and Certification

FCC

This equipment has been tested and found to comply with the limits for a Class B digital device, pursuant to part 15 of the FCC Rules. These limits are designed to provide reasonable protection against harmful interference when the equipment is operated in a commercial environment. This equipment generates, uses, and can radiate radio frequency energy and, if not installed and used in accordance with the instruction manual, may cause harmful interference to radio communications. Operation of this equipment in a residential area is likely to cause harmful interference in which case the user will be required to correct the interference at his own expense.

However, there is no guarantee that interference will not occur in a particular installation. If this equipment does cause harmful interference to radio or television reception, which can be determined by turning the equipment off and on, the user is encouraged to try to correct the interference by one or more of the following measures:

- Reorient or relocate the receiving antenna.
- Increase the separation between the equipment and receiver.
- Connect the equipment into an outlet on a circuit different from that to which the receiver is connected.
- Consult the dealer or an experienced radio / TV technician for help.



Any changes or modifications not expressly approved by the grantee of this device could void the user's authority to operate the equipment.

This device is operation in 5.15 – 5.25GHz frequency range, then restricted in indoor use only, Outdoor operations in the 5.15 – 5.25GHz is prohibit.

This device is slave equipment; the device is not radar detection and not ad-hoc operation in the DFS band.

03/ Introduction

The KT-RT-I5 is a rugged device equipped with 802.11, Bluetooth and GNSS for wireless data communications.

The KT-RT-I5 is a rugged 10.1" tablet computer capable of 1920 x 1200 resolution.

The KT-RT-I5 supports the following operating systems:

- Windows® Embedded 8.1 Industry 64bits
- Windows® Embedded Standard 7 64bits
- Windows® 7 Professional 64bits

03.01. About This Guide

The KT-RT-I5 User Manual provides instruction for qualified personnel to use as a guide for setup of the device. This document is not intended to replace the training and expertise of the end-user.

03.02. Unpacking the Device

Before you begin the installation or configuration process make sure to inspect all components and accessories. Contact your representative if there are any missing or damaged items. See "Contacting Kontron" on page 54.

03.03. Technical Specifications

Table 1. Technical Specifications

| Item | Description |
|-----------------------------|--|
| Display | 10.1-inch LED Backlight, 1920 (W) x 1200 (H) WUXGA |
| Touch screen | 10-point capacitive touch screen |
| Brightness | 1000 nits |
| CPU | Intel Core i5-5350U vPro 1.8GHz |
| Operating System (Optional) | <ul style="list-style-type: none"> ■ Windows® Embedded 8.1 Industry 64bits ■ Windows® Embedded Standard 7 64bits ■ Windows® 7 Professional 64bits |
| RAM | DDR3L 1600 MHz 8GB RAM |
| Storage | mSATA SSD 128 GB (optional: 256 GB) |
| Battery | <ul style="list-style-type: none"> ■ Standard hot swappable battery: 10.8V, 4500mAh, Li-polymer ■ Extended hot swappable battery: 10.8V, 9000 mAh, Li-polymer (optional) |
| Power Supply | AC 100V ~ 240V, 50~60Hz input; 19VDC@3.42A, 65W |
| Dimensions (W x H x L) | 280 mm (11") x 23 mm (0.9") x 195 mm (7.7") |
| Weight | 1.36 kg (3 lbs) |

| Item | Description |
|------------------------|---|
| Wireless | |
| WLAN | Wi-Fi IEEE 802.11 a/b/g/n/ac |
| Bluetooth | Bluetooth V4.0 |
| WWAN (Optional) | Option for 4G LTE |
| Sensor | |
| Sensor | Gyroscope, G Sensor, E-compass, Light Sensor |
| I/O | |
| Docking Connector | 12-pin |
| DC-IN Jack | x1 |
| Micro SIM Card Slot | x1 |
| MicroSD Slot | x1 |
| Audio Jack | x1; headphone / microphone combo |
| USB 3.0 | x1; type A |
| RS-232 | x1 |
| Micro HDMI | x1 |
| Ethernet | x1 |
| Security | |
| TPM | TPM 1.2 |
| BIOS On/Off for I/Os | YES |
| Data Collection | |
| Camera | <ul style="list-style-type: none"> ■ Front: 2.0 Mega-Pixels camera ■ Rear: 5.0 Mega-Pixels camera with LED auxiliary light and Auto-focus |
| GNSS | YES |
| NFC | Optional |
| Barcode Reader | Optional |
| Magnetic Stripe Reader | Optional |
| Smart Card Reader | Optional |

| Item | Description |
|-----------------------------|---|
| Rugged Specifications | |
| Drop | 153 cm (5 feet), 26 drops on plywood |
| MIL-STD 810G | <ul style="list-style-type: none"> ■ Vibration (MIL-STD-810G Method 514.6 Category 4, Fig 514.6C-1, Fig 514.6C-2, Fig 514.6C-3) ■ Drop (MIL-STD-810G Method 516.6 Procedure IV) ■ Mechanical shock (MIL-STD-810G Method 516.6 Procedure I, Procedure V) ■ Operation and storage temperature (MIL-STD-810G Method 501.5 and 502.5) ■ Humidity MIL-STD-810G Method 507.5 Humidity Procedure II Aggravated Cycles (Fig 507.5-7) |
| IP rating | IP65 |
| Operating Temperature Range | -20°C (-4°F) to 60°C (140°F) |
| Storage Temperature Range | -30°C (-22°F) to 70°C (158°F) |
| Humidity | 5-95% without condensation |

03.04. KT-RT-I5 Configuration Options

The following options are available for the KT-RT-I5:

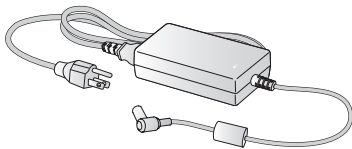
- NFC module
- Barcode reader
- Smart card reader
- High capacity battery
- 4G LTE

03.05. Parts List

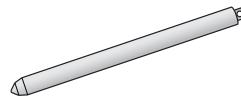
The KT-RT-I5 is shipped with the following items. All other accessories are sold and ordered separately. For help, contact your local Kontron sales representative. See “*Contacting Kontron*” on page 54.



KT-RT-I5



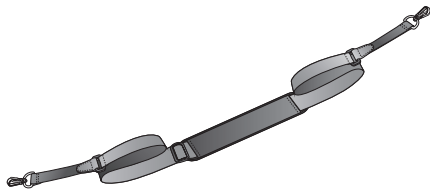
Power Adapter



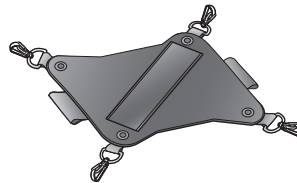
Stylus



2-Point Carrying Handle



2-Point Shoulder Strap



4-Point Handstrap



Hitch D-rings
(Attaching straps)

03.06. Identifying the Device

Overview

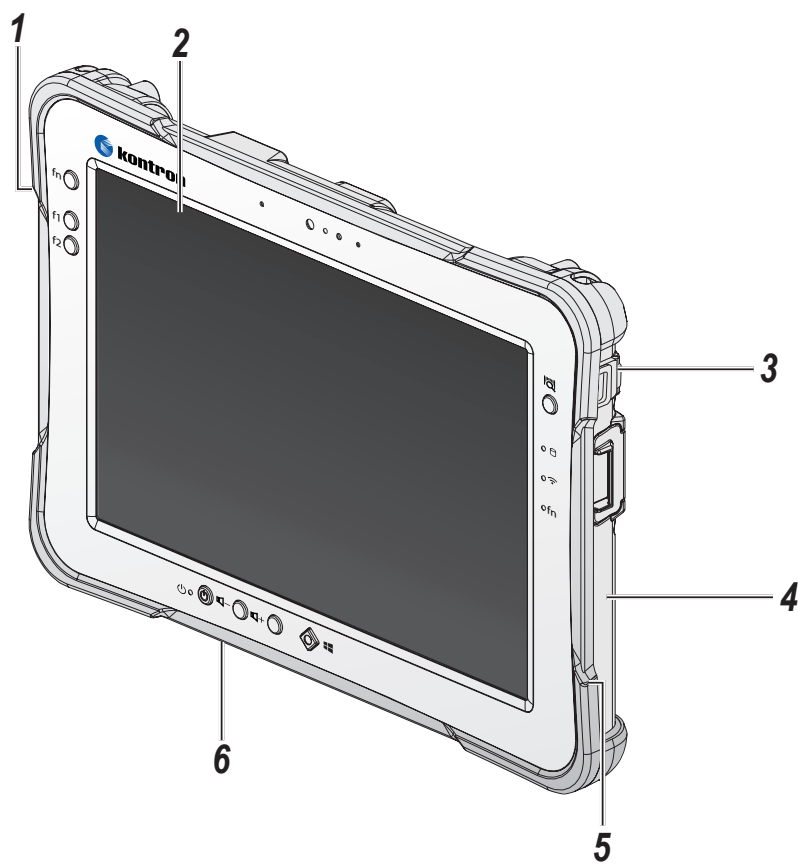


Figure 1. Overview

Table 2. Overview

| No | Item | Description |
|----|----------------|--|
| 1 | Left view | See “Side View” on page 13 for further information. |
| 2 | Front view | See “Front View” on page 11 for further information. |
| 3 | Rear view | See “Rear View” on page 14 for further information. |
| 4 | Right view | See “Side View” on page 13 for further information. |
| 5 | Rubber bumpers | Easy to grip rubber bumpers enable the rugged tablet to withstand shocks and drop for use in demanding environments. |
| 6 | Bottom view | See “Bottom View” on page 12 for further information. |

Front View

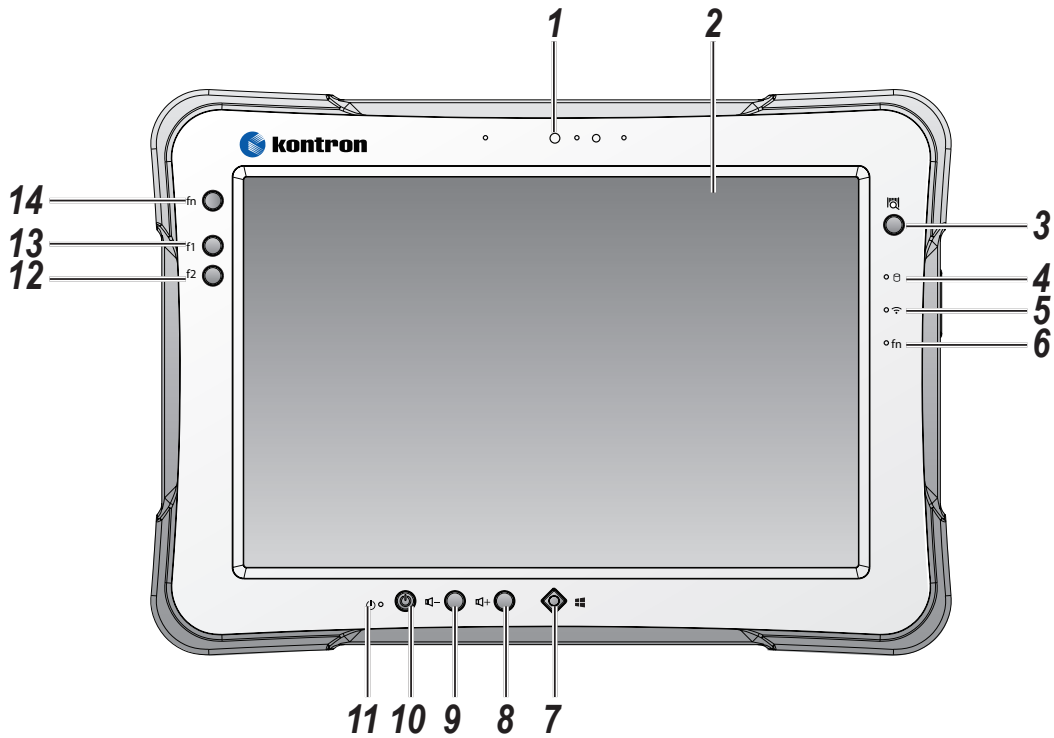


Figure 2. Front View

Table 3. Front View

| No | Item | Description |
|----|-----------------|--|
| 1 | Front camera | 2.0 Mega-Pixels camera. |
| 2 | Touch screen | 5-point capacitive touch. |
| 3 | Barcode trigger | If barcode scanner is installed, press to scan. |
| 4 | Battery LED | Display battery status, see “LED Status” on page 12. |
| 5 | Wi-Fi LED | The Wi-Fi LED lights to indicate Wi-Fi is enabled. |
| 6 | FN LED | The FN LED lights when the function switch on. |
| 7 | Home key | Windows® 8 home key. |
| 8 | Volume + | Volume increase. |
| 9 | Volume - | Volume decrease. |
| 10 | Power key | Turns the KT-RT-I5 on or off. |
| 11 | Power LED | The power LED lights when the device is on. |
| 12 | F2 key | Programmable function key. |
| 13 | F1 key | Programmable function key. |
| 14 | FN key | Programmable function key. |

LED Status

Table 4. LED Status

| Item | Status | Description |
|---------|-----------------|---------------------------|
| Power | Green: On | Power on |
| | Off | Power off |
| Battery | Green: On | Fully charged |
| | Amber: On | Charging |
| | Amber: Blinking | Low power < 15% |
| | Off | Not charging / no battery |
| FN | Blue: On | FN function switch on |
| | Blue: Off | FN function switch off |
| Wi-Fi | Blue: On | Wi-Fi on |
| | Blue: Off | Wi-Fi off |

Bottom View

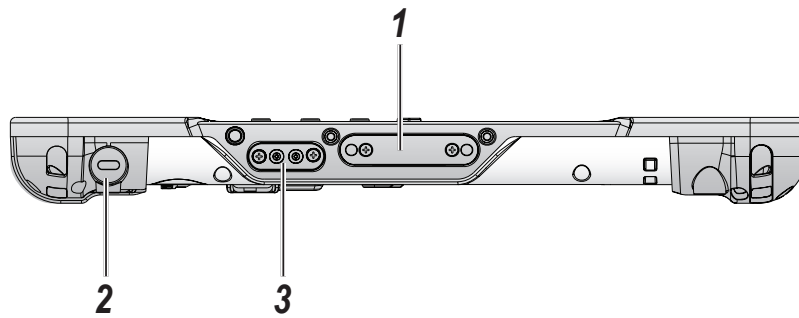


Figure 3. Bottom View

Table 5. Bottom View

| No | Item | Description |
|----|-------------------|--|
| 1 | Docking connector | 12 pin connector for docking onto a station. |
| 2 | Kensington lock | Lock the KT-RT-I5 to a stationary object for security. |
| 3 | Pass-through | Dual pass-through for WLAN, GNSS and WWAN. |

Side View

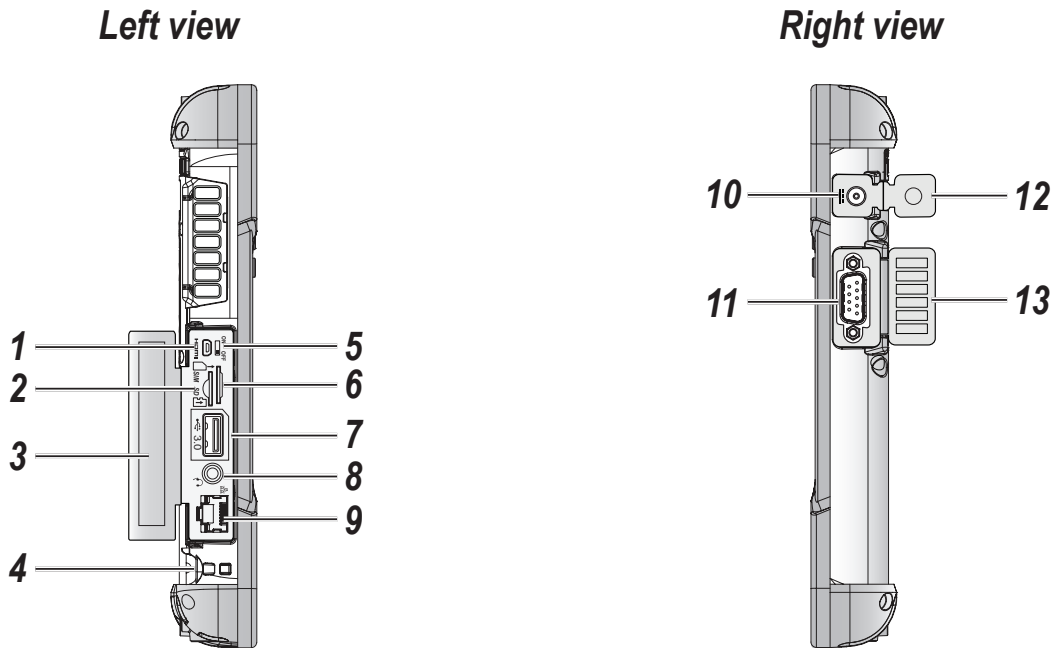


Figure 4. Side Views

Table 6. Side View

| No | Item | Description |
|----|-----------------------------|---|
| 1 | Micro HDMI | Connect HDMI devices to the KT-RT-I5. |
| 2 | MicroSD slot | Insert microSD card in to the slot. |
| 3 | Left I/O compartment cover | Open to access the left I/O ports. |
| 4 | Tether hole | Stylus can be tethered to it. |
| 5 | Battery switch | Switch to ON to provide power from the backup battery. |
| 6 | Micro SIM slot | Insert micro SIM card for 4G LTE communication function. |
| 7 | USB 3.0 | Connect USB devices to the KT-RT-I5. |
| 8 | Audio jack | Connect a 3.5 mm jack for a headphone or external speakers. |
| 9 | Ethernet | Connect the KT-RT-I5 to an Ethernet (RJ-45) cable. |
| 10 | DC-IN jack | Insert power connector to charge battery. |
| 11 | RS-232 | Connect the KT-RT-I5 to a serial device. |
| 12 | DC-IN cover | Open to access the DC-IN jack. |
| 13 | Right I/O compartment cover | Open to access the right I/O port. |

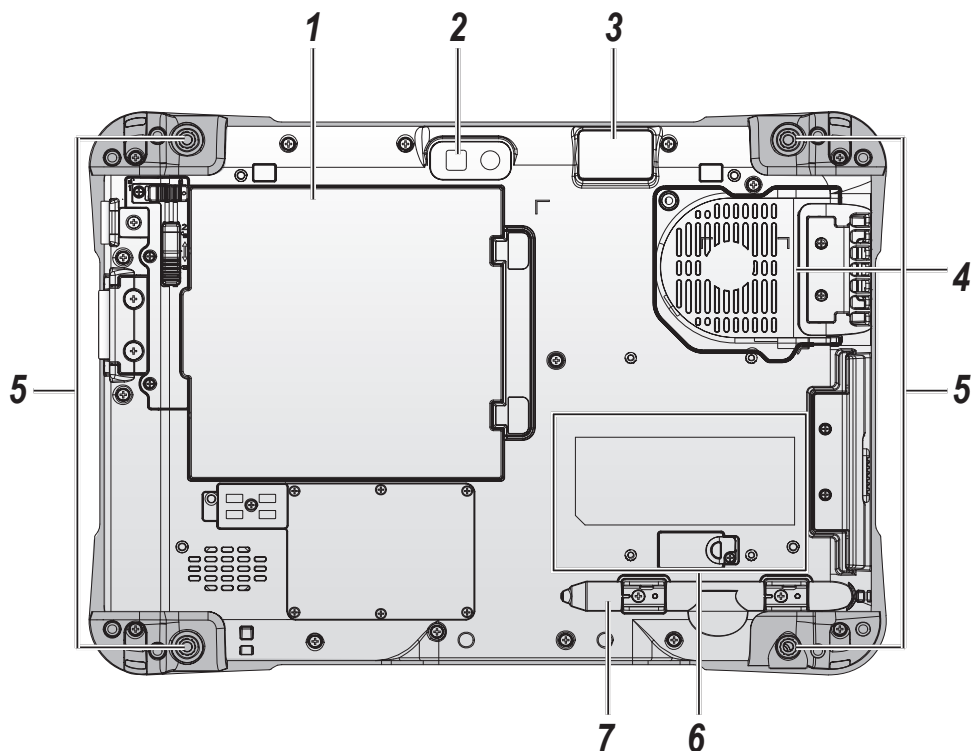
Rear View

Figure 5. Rear View

Table 7. Rear View

| No | Item | Description |
|----|----------------|--|
| 1 | Battery | To install a battery, an external battery is optional. |
| 2 | Rear camera | 5.0 Mega-Pixels camera with LED auxiliary light. |
| 3 | Barcode reader | For installing a barcode reader. (Optional) |
| 4 | Fan | Embedded fan for cooling. |
| 5 | Securing holes | Secure the bumpers and the D-rings for the handstrap and shoulder strap. |
| 6 | Expansion bay | Remove the cover to find the expansion accessory connector. |
| 7 | Stylus holder | Place stylus here. |

03.07. Dimensions

The following image lists the device dimensions without add-ons (mm/inches).

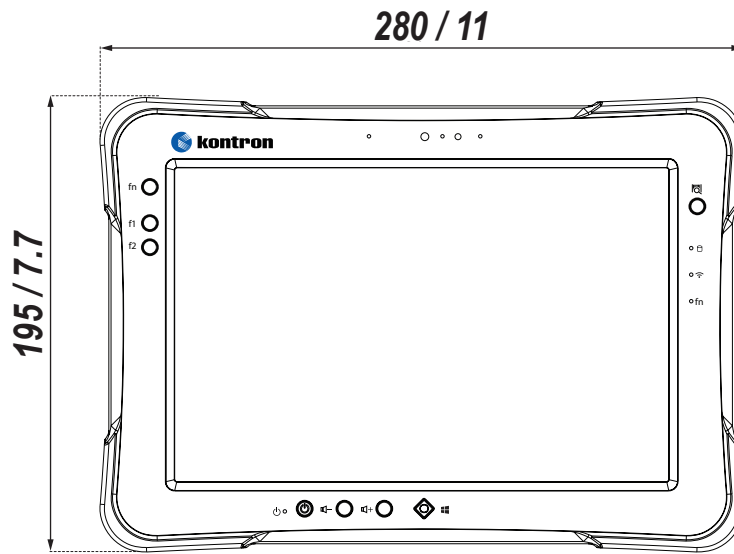


Figure 6. Front View Dimensions

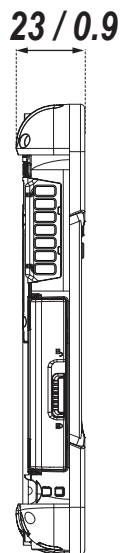


Figure 7. Side View Dimensions

03.08. Touch Screen Features



Always use the point of the stylus for clicking or making strokes on the touch screen.
Never use an actual pen, pencil, or sharp/abrasive object on the touch screen.

The stylus is used as if it were a pen or pencil. Touch the screen with the tip of the stylus then remove the stylus from the screen.

After each use, replace the stylus in the stylus holder for proper care and to preserve the life of the stylus.

Using a stylus is similar to moving the mouse pointer then left-clicking icons on a desktop computer screen.

The following actions are available through the use of the stylus:

- Open applications
- Choose commands in menu
- Select options in dialog box or drop-down menu
- Drag the scroll bar
- Drag across the text to select content
- Place the cursor in a text box before typing

A right click is generated by tapping the mouse icon in the system tray. After tapping, the mouse icon highlights the right button of the icon in red. The next touch screen tap is treated as a right click. The mouse icon returns to the left button highlighted in red so subsequent taps are treated as left clicks.

A stylus replacement kit is available.



To prevent damage or malfunction, always dry the touch screen when wet.

04/ Getting Started

This section provides an outline of the steps necessary to setup a new KT-RT-I5. A detailed guide follows the listed items, see as follows.

For additional technical assistance, contact your Kontron representative. See *“Contacting Kontron”* on page 54.



It is recommended to installing or remove accessories on a clean, well-lit work surface. To protect yourself and the device from electrostatic discharge, wear anti-static wrist straps or place the device on an anti-static mat.

04.01. First Time Use

1. Open the left I/O compartment cover. See *“Opening the I/O Compartment Cover”* on page 25.
2. Switch the switch to the ON position.

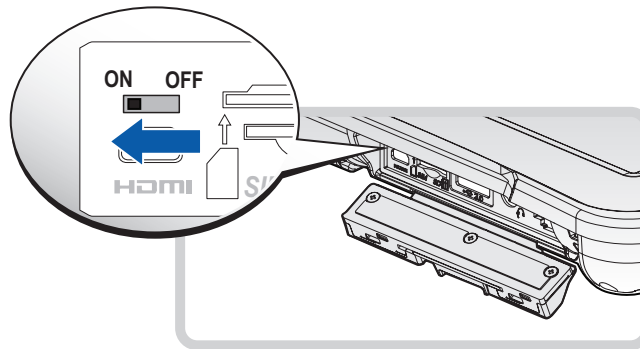


Figure 10. Switching the Battery Switch

3. Close the left I/O compartment cover. See *“Closing the I/O Compartment Cover”* on page 26.

04.02. Charging the Battery

When you use the AC adapter to connect your KT-RT-I5 to a power outlet, the standard and external (optional) battery will automatically begin to recharge.

While the battery is charging, the power LED will be active. When the battery is fully charged, the power LED is lit a solid green.

1. Flip open the DC-IN cover to expose the DC-IN jack.

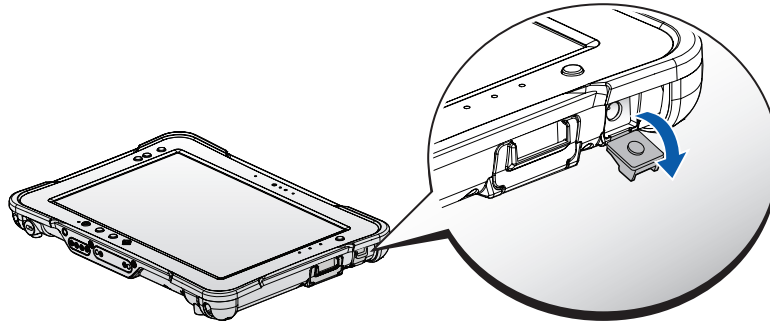


Figure 11. Opening the DC-IN Cover

2. Connect the AC adapter to the DC-IN port.

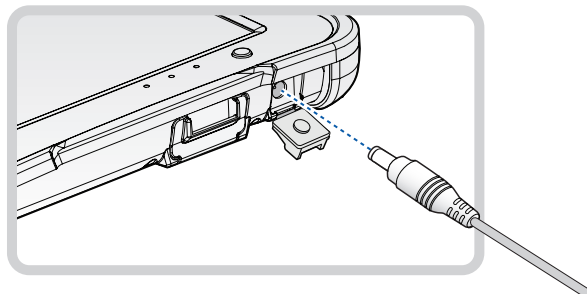


Figure 12. Connecting the AC Adapter

After charging the battery, disconnect the AC adapter and close the DC-IN cover.

1. Insert one end of the cover first and angle the cover to seat it in place.
2. Push in the cover to seal the DC-IN compartment.

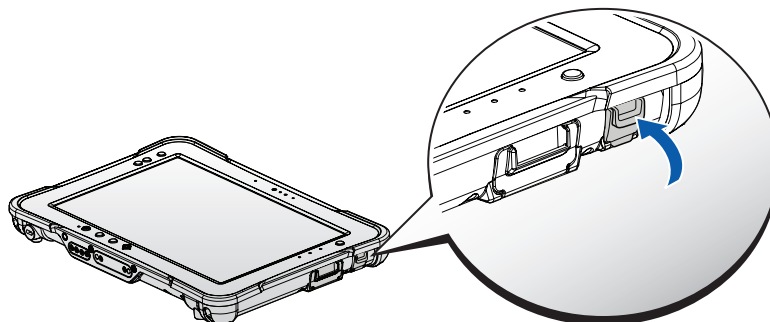


Figure 13. Closing the DC-IN Cover



The DC-IN cover must be inserted correctly to prevent internal damage to the device.

04.03. Powering the Device On and Off

Powering On the Device

Only power on the KT-RT-I5 after connecting all of the peripherals and cabling.

1. Press and hold the power button until the screen lights. The device runs through the start up sequence and powers up.

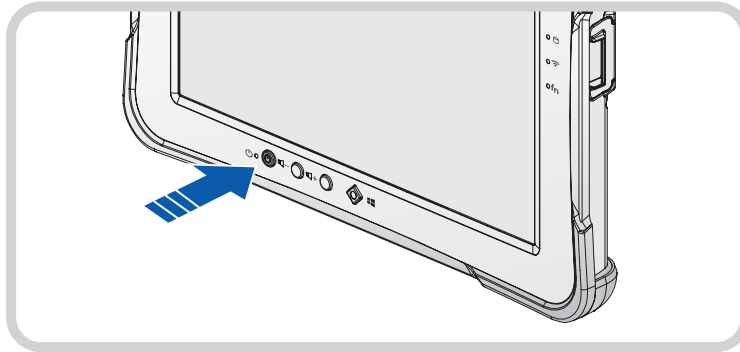




Figure 14. Power On the KT-RT-I5

Powering Off the Device

- Start screen:
Tap  > **Shut down**.
- Desktop screen:
 1. Tap and hold  at the bottom left corner of the Desktop screen.
 2. Tap **Shut down or sign out** > **Shut down**.
- Both Start screen and Desktop screen:
 1. Display charm bar and tap **Settings**.
 2. Tap **Power** > **Shut down**.

04.04. Installing the Micro SIM Card

The device includes a micro SIM card slot for cellular and wireless connection. Only a micro SIM card is supported in the slot.



Check with your network or cellular service provider for availability and cost rates.

1. Power off the KT-RT-I5. See “*Powering Off the Device*” on page 19.
2. Open the left I/O compartment cover. See “*Opening the I/O Compartment Cover*” on page 25.
3. Locate the micro SIM slot in the left I/O parts.

Left view

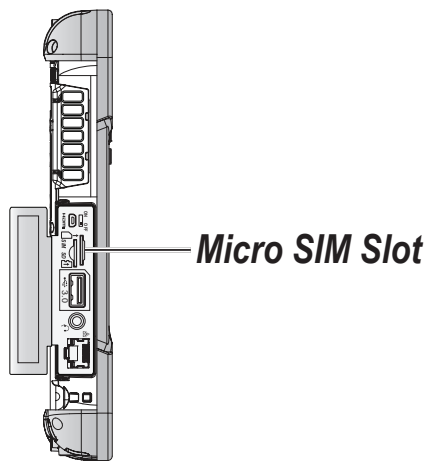


Figure 15. Left View: Locating the Micro SIM Slot

4. Take the micro SIM card from its packaging.
5. The micro SIM card has a corner missing. Align the SIM card with the slot making sure that the corners match.
6. Insert the micro SIM card and press it in until an audible click sounds.

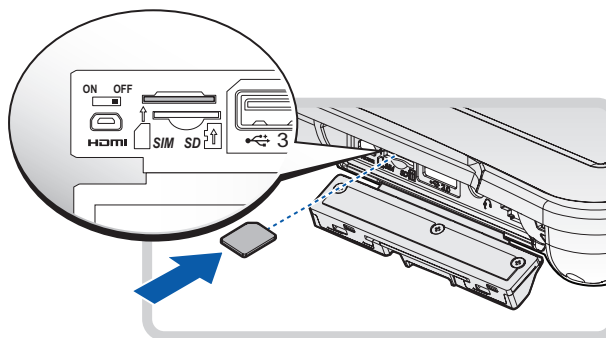


Figure 16. Installing the Micro SIM Card

7. Close the left I/O compartment cover. See “*Closing the I/O Compartment Cover*” on page 26.

04.05. Removing the Micro SIM Card

1. Power off the KT-RT-I5. See “*Powering Off the Device*” on page 19.
2. Open the left I/O compartment cover. See “*Opening the I/O Compartment Cover*” on page 25.
3. Locate the micro SIM slot in the left I/O parts.

Left view

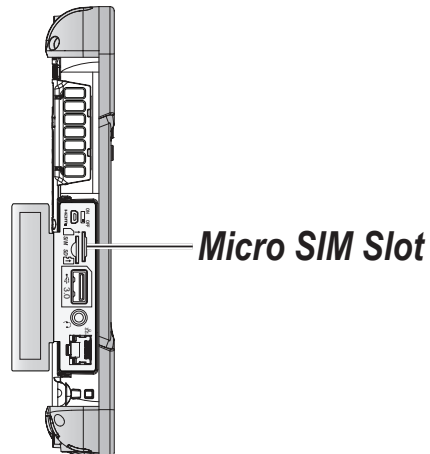


Figure 17. Left View: Locating the Micro SIM Slot

4. Press the micro SIM card in and release it. The card springs out.
5. Grasp the micro SIM card and remove it from the slot.

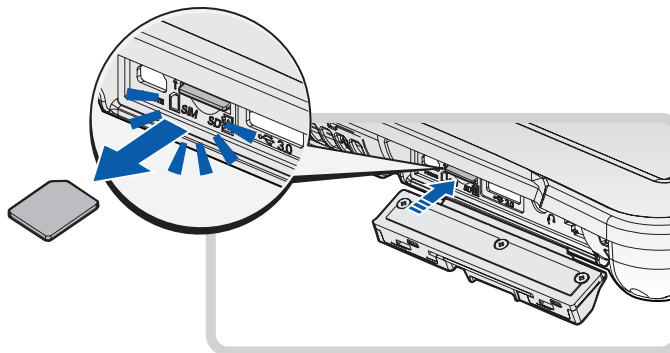


Figure 18. Removing the Micro SIM Card

6. Close the left I/O compartment cover. See “*Closing the I/O Compartment Cover*” on page 26.

04.06. Installing the MicroSD Card

The device supports microSD card for easier data storage.

1. Open the left I/O compartment cover. See “Opening the I/O Compartment Cover” on page 25.
2. Locate the microSD slot in the left I/O parts.

Left view

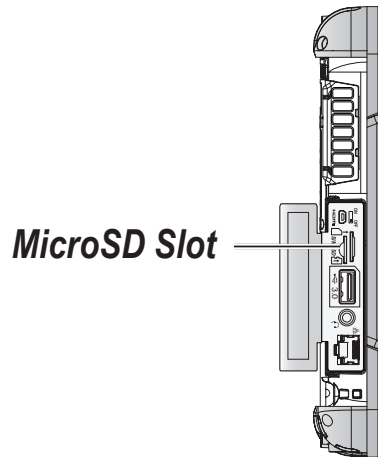


Figure 19. Left View: Locating the MicroSD Slot

3. The microSD card has a beveled edge. Align the microSD card with the slot making sure that the corners match.
4. Insert the microSD card and press it in until an audible click sounds.

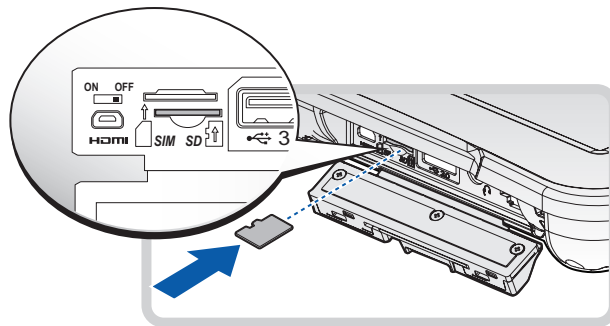


Figure 20. Installing the MicroSD Card

5. Close the left I/O compartment cover. See “Closing the I/O Compartment Cover” on page 26.

04.07. Removing the MicroSD Card

1. Open the left I/O compartment cover. See “Opening the I/O Compartment Cover” on page 25.
2. Locate the microSD slot in the left I/O parts.

Left view

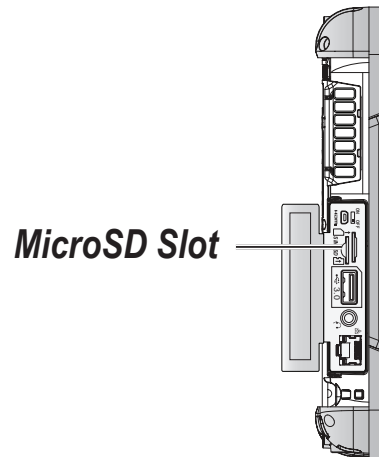


Figure 21. Left View: Locating the MicroSD Slot

3. Press the microSD card in and release it. The card springs out.
4. Grasp the microSD card and remove it from the slot.

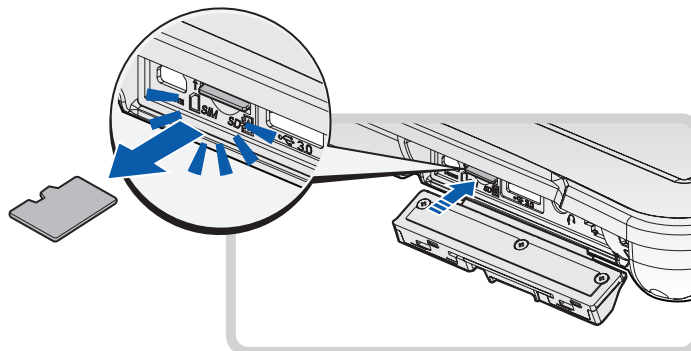


Figure 22. Removing the MicroSD Card

5. Close the left I/O compartment cover. See “Closing the I/O Compartment Cover” on page 26.

04.08. Using the Stylus

Following the information below when using a stylus:

- Use only the included stylus to touch the screen. Do not place any objects on its surface and do not press down strongly with sharp-pointed or hard objects that may leave marks (e.g., nails, pencils and ball point pens).
- Use the stylus only for touching the screen. Using it for any other purpose may damage the stylus and result in scratches on the screen.
- The pointer cannot follow the stylus movement if you move the stylus too quickly.

To make a selection, tap the screen once with the stylus. To double-click, tap twice without pausing. To do a right-click, tap the screen once and hold the tip of the stylus on the screen, the right-click icon appears.

04.09. Removing the Protective Film from the Display

The front display of the KT-RT-I5 is protected during transport by a transparent film. This film should remain on the front display during assembly to avoid damage to the front display surface. Only remove the film once all of the assembly work has been completed.

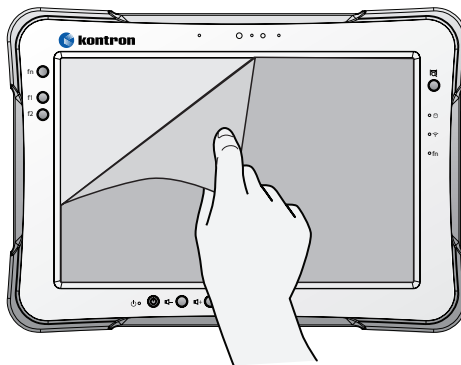


Figure 23. Removing the Protective Film

05/ Operation

05.01. Opening the I/O Compartment Cover

1. Place the device display side down on a clean work surface.
2. Locate the I/O compartment cover.



Figure 24. Side View: Locating the I/O Compartment Cover

3. Unlock the latch. (Only available for the left I/O compartment cover)

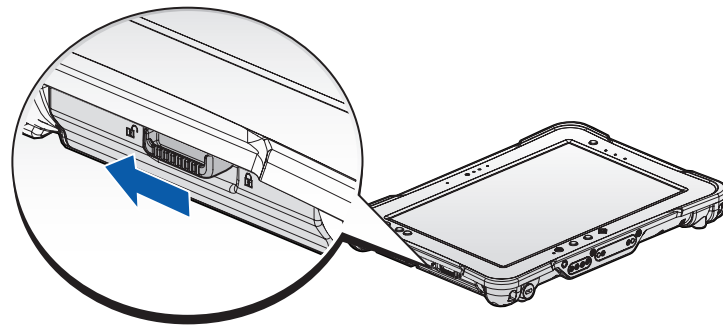


Figure 25. Unlocking the Latch

4. Pull out the I/O compartment cover.

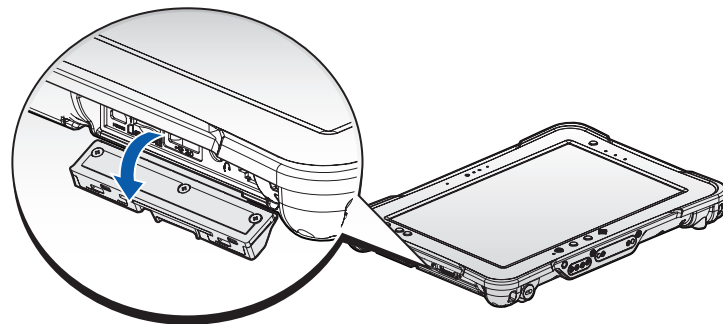


Figure 26. Opening the I/O Compartment Cover

05.02. Closing the I/O Compartment Cover

1. Place the device display side down on a clean work surface.
2. Locate the I/O compartment cover.



Figure 27. Side View: Locating the I/O Compartment Cover

3. Flip the I/O compartment cover and install.

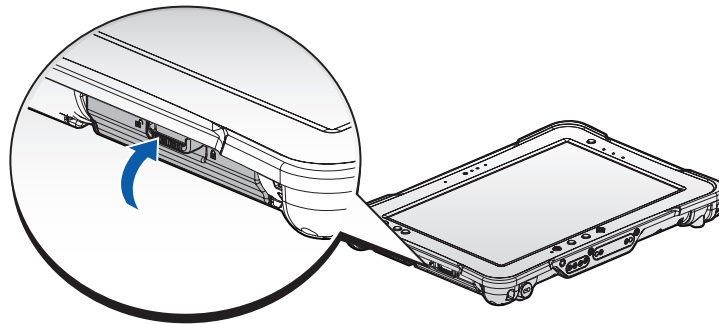


Figure 28. Installing the I/O Compartment Cover

4. Lock the latch. (Only available for the left I/O compartment cover)

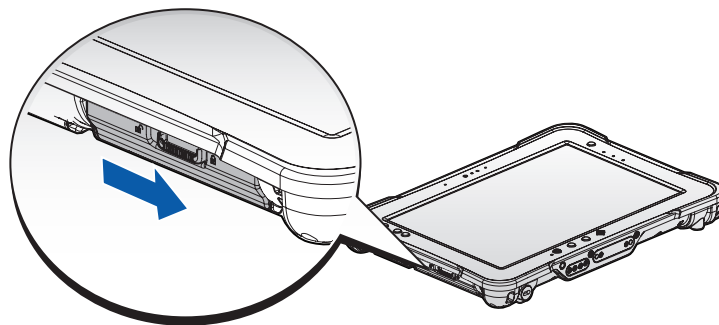


Figure 29. Locking the Latch



The I/O compartment cover must be inserted correctly to prevent internal damage to the device.

05.03. Connecting to External Cabling



To prevent damage to the device, connect all cabling and accessories before powering up the device.

Connect USB Cabling

The KT-RT-I5 have one USB port for connecting USB devices, such as a digital camera, scanner, printer, modem, and mouse. The USB port support USB 2.0 or USB 3.0 devices.

1. Open the left I/O compartment cover. See “Opening the I/O Compartment Cover” on page 25.
2. Connect to USB device via USB cable.

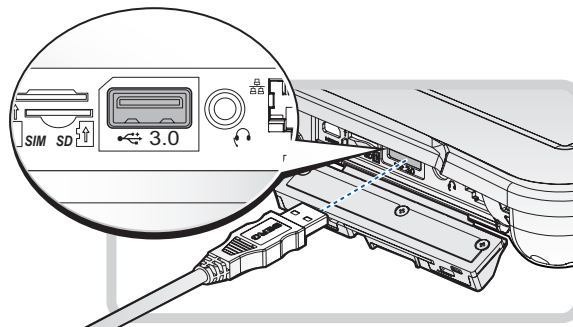


Figure 30. Connect USB Cabling

Connect Ethernet Cabling

The KT-RT-I5 provide have a Ethernet port for connecting Ethernet.



Use a shielded cable is required to maintain emissions and susceptibility compliance.

1. Open the left I/O compartment cover. See “Opening the I/O Compartment Cover” on page 25.
2. Connect LAN cable to Ethernet port on the KT-RT-I5.

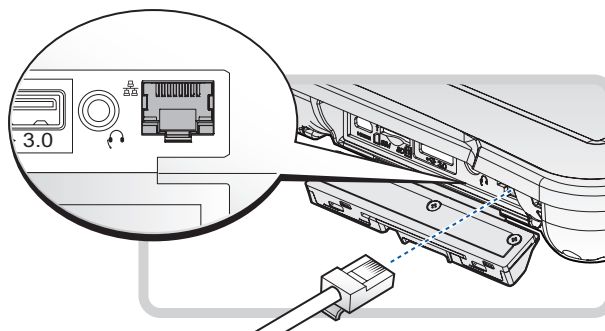


Figure 31. Connect Ethernet cabling

Connect Audio Cabling

For higher audio quality, you can send sound through external audio devices such as speakers, headphones, or earphone using audio connector.

1. Open the left I/O compartment cover. See “Opening the I/O Compartment Cover” on page 25.
2. Connect the audio cable.

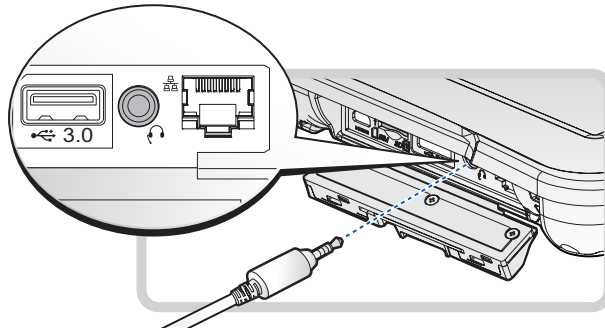


Figure 32. Connect Audio Cabling

Connect Micro HDMI Cabling

Connect to HDMI devices via micro HDMI cable.

1. Open the left I/O compartment cover. See “Opening the I/O Compartment Cover” on page 25.
2. Connect micro HDMI cable to micro HDMI port on the KT-RT-I5.

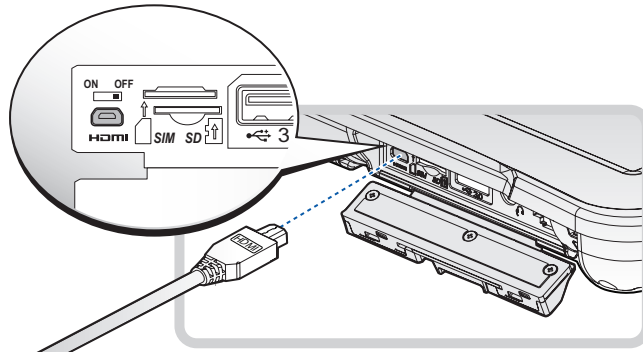


Figure 33. Connect Micro HDMI Cabling

Connect RS-232 Cabling

Connect to RS-232 devices with an RS-232 cable.

1. Open the right I/O compartment cover. See “Opening the I/O Compartment Cover” on page 25.
2. Align the RS-232 cable with the port in the device and connect it.
3. Turn the locking screws on the cable to secure it to the device.

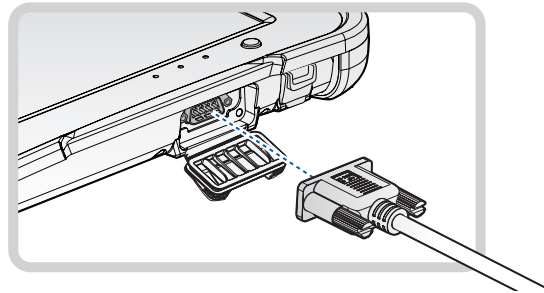


Figure 34. Connect RS-232 Cabling

05.04. Handstrap, Carrying Handle and Shoulder Strap

The KT-RT-I5 is equipped with a handstrap, a carrying handle and a shoulder strap for convenience and choice. Select the accessory that is right for your needs.

The handstrap can be installed with either the shoulder strap or the carrying handle. However, the handle and shoulder strap can not be installed together due to space constraints.

For more information, see “Connecting the Handstrap” on page 29, “Connecting the Carrying Handle” on page 32 and “Connecting the Shoulder Strap” on page 32.

Connecting the Handstrap

1. Remove the screws securing the bumpers.

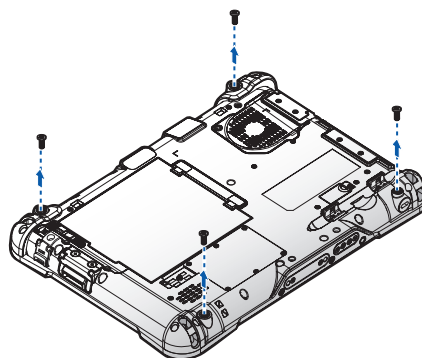


Figure 35. Removing the Screws

2. Install the D-rings.



Make sure the D-rings are tightly secured before installing the handstrap.

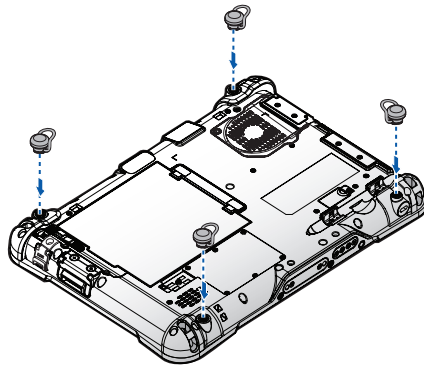


Figure 36. Installing the D-rings

3. Connect the handstrap on the D-rings.



When the handstrap is installed, the stylus can be placed under the strap.

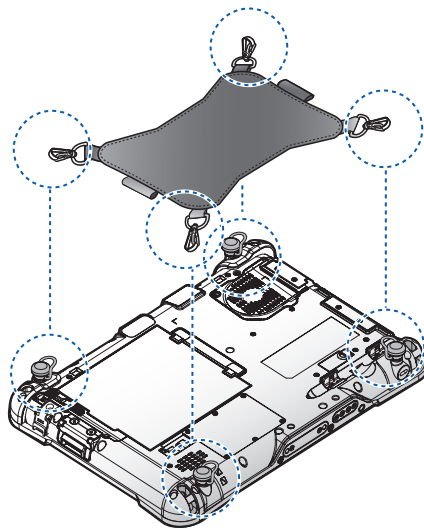


Figure 37. Connecting the Handstrap

Removing the Handstrap

1. Unlock the handstrap from the D-rings.

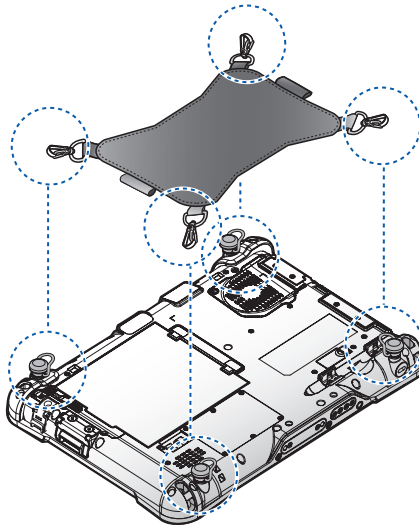


Figure 38. Removing the Handstrap

2. Remove the D-rings.

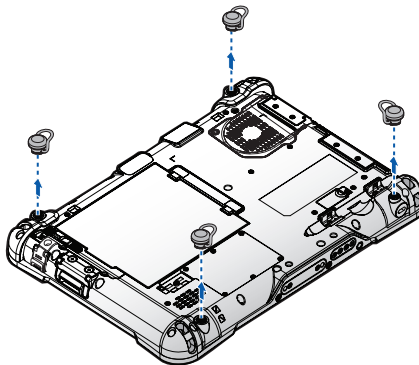


Figure 39. Removing the D-rings

3. Secure the bumper and the KT-RT-I5 with screws.

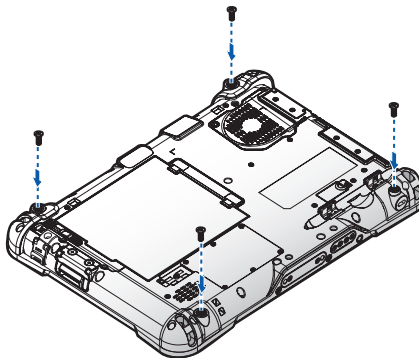


Figure 40. Securing the Screws

Connecting the Carrying Handle

1. Attach the clips to the metal loop on the bumper.

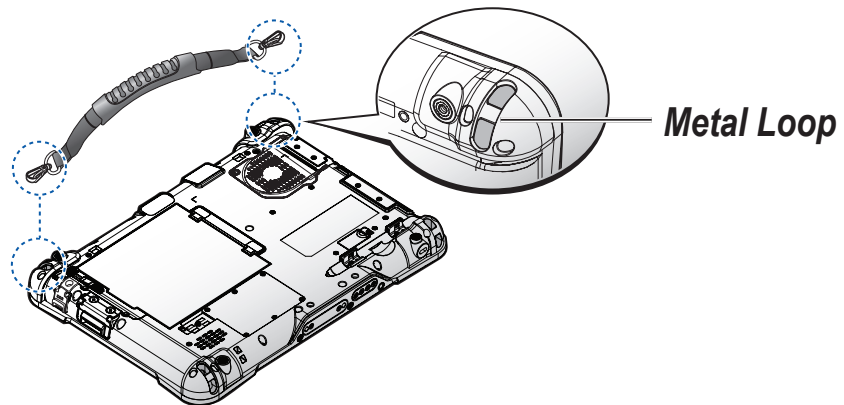


Figure 41. Connecting the Carrying Handle

Removing the Carrying Handle

1. Press in the clips to release them from the metal loop.
2. Remove the clips.

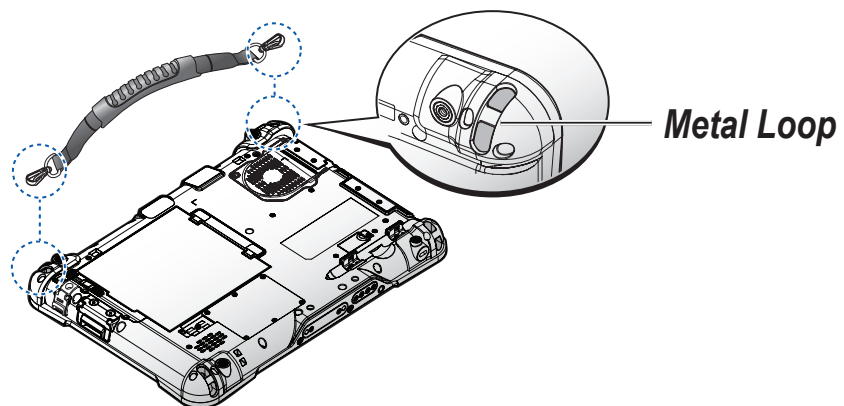


Figure 42. Removing the Carrying Handle

Connecting the Shoulder Strap

1. Attach the clips to the metal loop on the bumper.

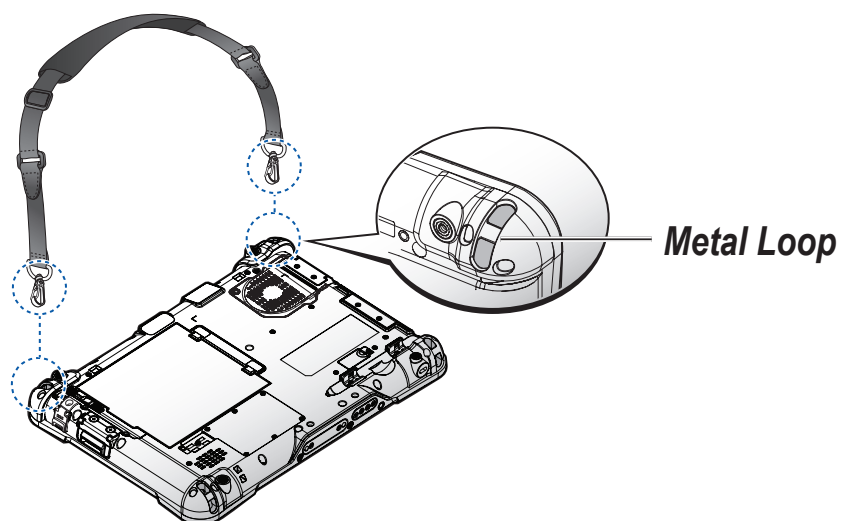


Figure 43. Connecting the Shoulder Strap

Removing the Shoulder Strap

1. Press in the clips to release them from the metal loop.
2. Remove the clips.

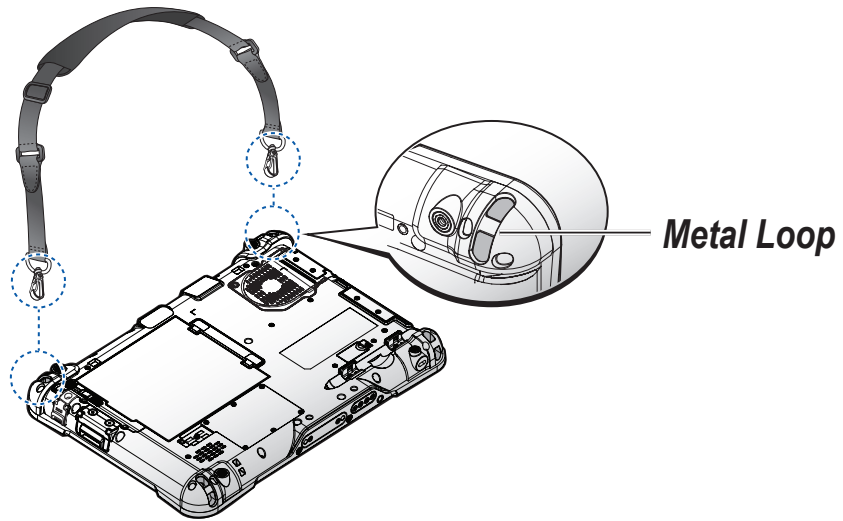


Figure 44. Removing the Shoulder Strap

05.05. Installing the Standard Battery

The following instructions are for both standard and external batteries. The external battery is an optional component. Only use components specifically designed for this device. Contact your local representative for ordering information.



Make sure the power switch is switched to ON before installing the standard/external battery. See "First Time Use" on page 17.

1. Place the device display side down on a clean work surface.
2. Locate the battery.

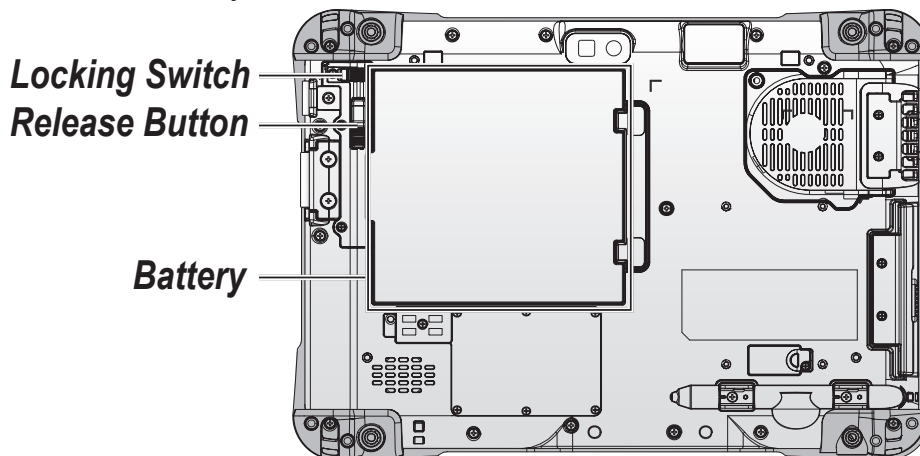


Figure 45. Rear View: Locating the Battery

3. Align the tabs on the battery with the slots on the chassis.
4. Angle the battery in place and set the tabs in the chassis slots.
5. Lower the raised end of the battery and press in place until an audible click is heard.

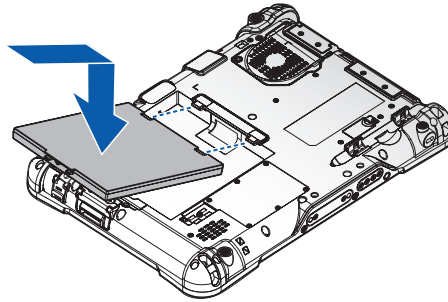


Figure 46. Installing the Battery

6. Slide the locking switch on the top-left side to lock the battery.

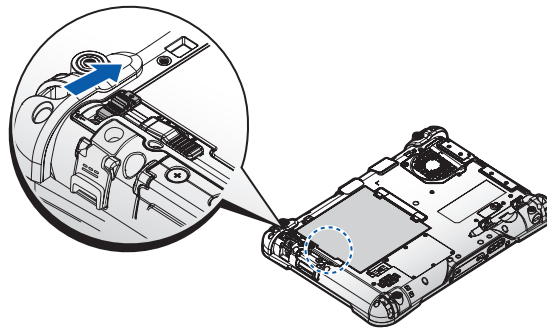


Figure 47. Locking the Battery



Make sure the latch is securely locked to prevent the battery from falling.

05.06. Removing the Standard Battery

1. Place the device display side down on a clean work surface.
2. Locate the battery.

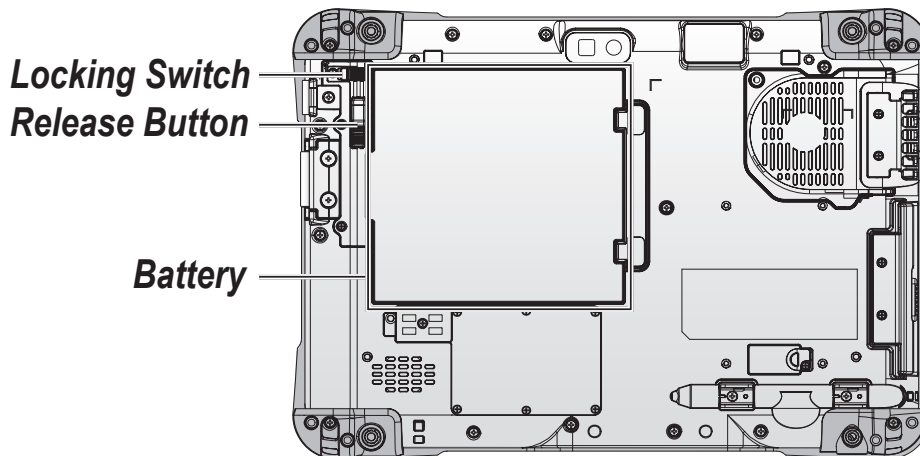


Figure 48. Rear View: Locating the Battery

- Slide the locking switch on the top-left side to the unlock position.

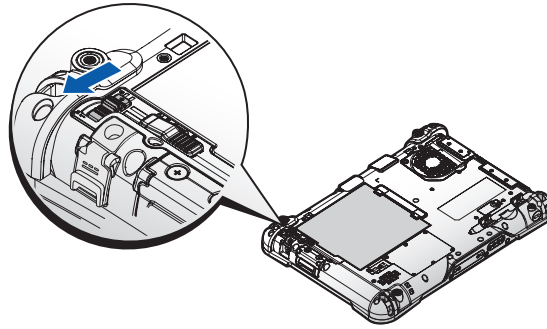


Figure 49. Unlock the Battery

- Press and hold the release button as shown in the image to release the battery.
- Hold the battery and angle the left side up to remove.

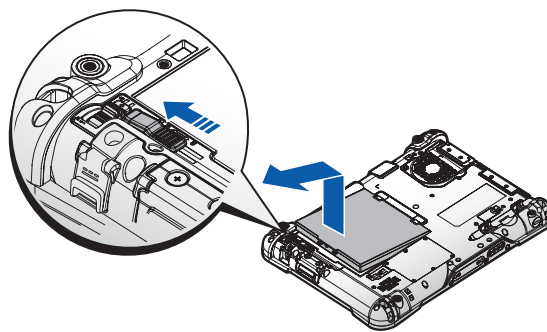


Figure 50. Removing the Battery

05.07. Connecting to a Wireless Network

Before you can make use of the KT-RT-I5 wireless functions, you need to connect to a network. The following is a set of procedures for connecting to a wireless network.

- Before beginning, make sure your Wi-Fi setting is enabled and you are within range of a wireless network. If your Wi-Fi setting is disabled, proceed to step 2.
 - Look at the Network icon located at the right side of the taskbar. If the icon displays an X in a red circle, you are not within range of a wireless network. Move to a different spot until the Wi-Fi icon changes status indicating availability to a wireless network.
- From any screen, open the Charms bar by sliding your finger inward from the screen's right edge. The Charms bar displays along the screen's right side.
- In the Charms bar, tap **Settings** to open the **Settings** menu.
- In **Settings**, tap the Network icon to display the Networks connection settings.
- The Wi-Fi menu displays. By default, the Wi-Fi menu is set to Off. Tap the bar next to Off to toggle Wi-Fi to On. This enables the Wi-Fi option.
- Once W-Fi is enabled a listing of all available wireless networks displays. The wireless networks with the strongest signal are atop the list.
- Select the network you want to connect to, and tap the **Connect** button. You can tap the **Connect Automatically** check box if you connect to this network frequently. If you connect to the network, you are finished with the process. The network is considered an Open unsecured network, no password is required.

Operation

8. If a password is required, type the password in the **Enter the network security key** field. Alternatively, you can also push the WPS button on your router to begin the security handshake.
9. Tap **Next** to finish the connection process.

You have successfully connected to a wireless network.

06/ Using BIOS Setup Utility

Your ruggedized tablet has a BIOS setup utility which allows you to configure important system settings, including settings for the Boot and AP menus as well as the device's basic settings--the system reads the basic settings during initialization in order to boot correctly

06.01. When to Use the BIOS Setup Utility

You need to run the BIOS Setup utility when:

- Restoring to BIOS settings to factory default
- Modifying specific hardware settings
- Modifying specific settings to optimize system performance
- Installing Windows 7 operating system

06.02. Accessing the BIOS Setup Utility



The BIOS Setup Utility screens shown in this chapter are for your reference only. The actual images or settings on your tablet computer may differ.

The BIOS Setup Utility program may have been updated after the publication of this manual.

To run the BIOS Setup Utility, use the following procedures:

1. Perform one of the following:
 - If the KT-RT-I5 is powered off
Press the Power button to start up the device. The power LED lights.
Quickly press and hold the Windows Home key until the BIOS Post screen displays.
 - If the KT-RT-I5 is powered on
Press the Power button to shut down the device.
Quickly press and hold the Windows Home Key until the BIOS Post screen displays.

The BIOS POST screen appears as shown.

2. From the BIOS POST screen select **App Menu** to open the BIOS Setup Utility.

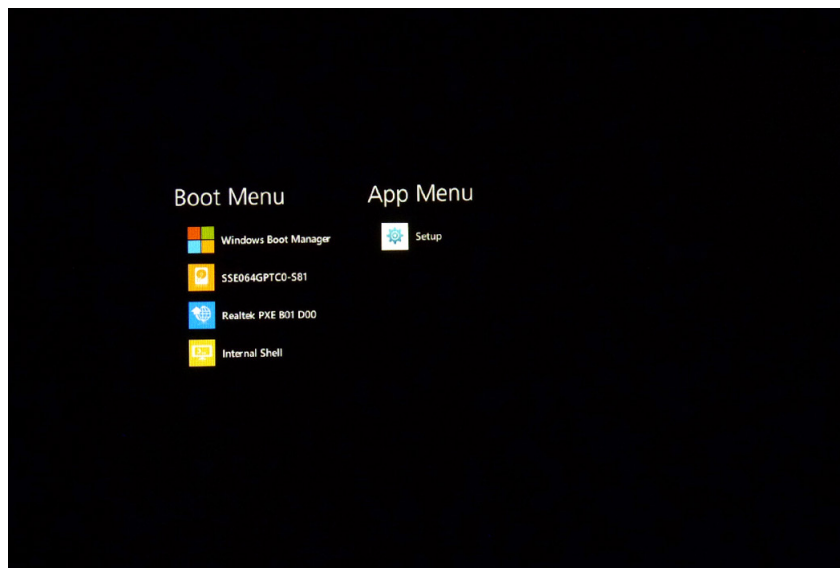


Figure 51. BIOS POST Screen

Due to the device's fast boot up and boot down time, there is only a small time frame of a few seconds between the release of the Power button and the opportunity to press the Windows Home key.

The App Menu displays.



Figure 52. BIOS Setup Utility: App Menu Screen

06.03. Installation an Operating System

Setting Up a Windows 7 Installation Environment

There are several settings in BIOS that must be modified before you can install a Windows 7 operating system.

Use the following guidelines to prepare the BIOS environment:

- Step 1: Enable CSM Support
 1. Access the BIOS Setup Utility, see “*Accessing the BIOS Setup Utility*” on page 38.
 2. Navigate to **APP Menu > Main > Boot Features**.
 3. Locate the **CSM Support** setting and tap the drop-down menu to display the options.
 4. Tap **Yes** to enable CSM support.

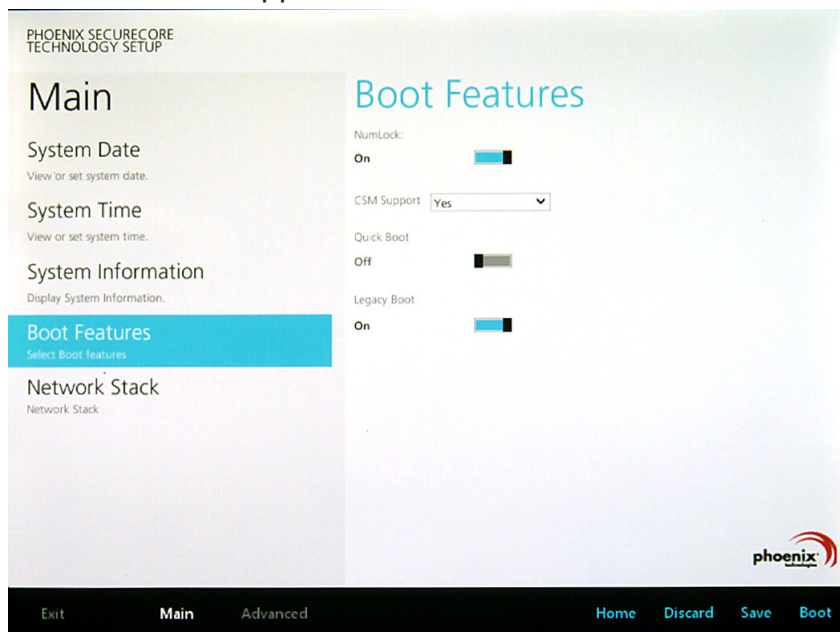


Figure 53. Main > Boot Features

■ Step 2 Enable Legacy Boot

1. Access the BIOS Setup Utility, see “Accessing the BIOS Setup Utility” on page 38.
2. Navigate to **APP Menu > Main > Boot Features**.
3. Locate the **Legacy Boot** setting and tap on the menu to select **On** enable legacy boot.

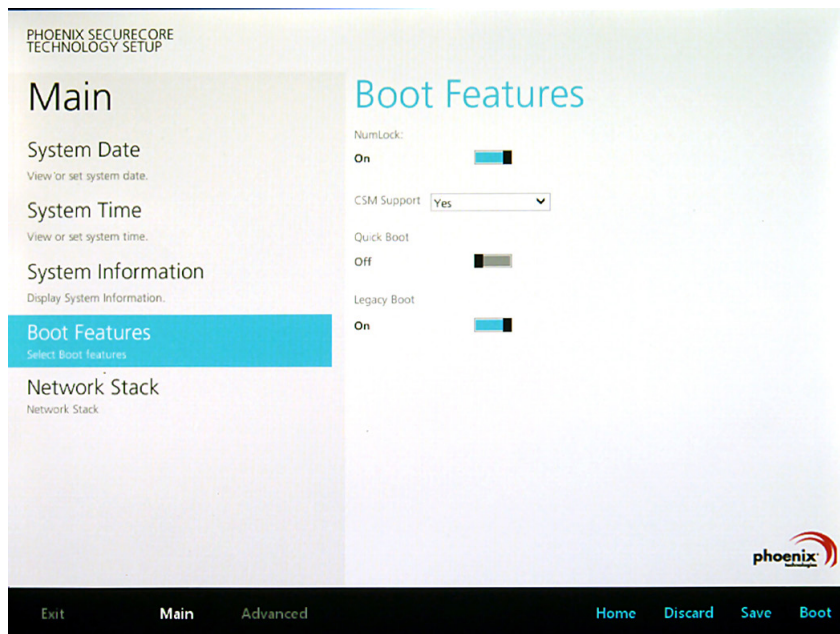


Figure 54. Main > Boot Features

Using BIOS Setup Utility

- Step 3: Advanced > Miscellaneous Configuration
- Save the Settings

After you configure BIOS, you will need to save the settings.

1. Navigate to **APP Menu > Exit** and tap **Exit Saving Changes**.

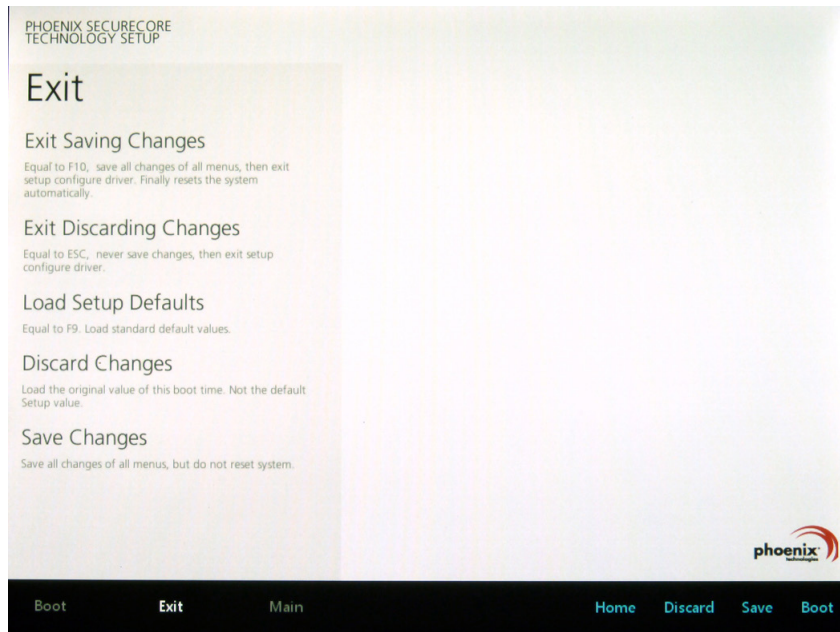


Figure 55. Exit the BIOS Utility

2. A prompt display, tap **Yes** to save the configuration.

The BIOS settings are configured and the Windows 7 operating system can be installed.

06.04. BIOS Passwords

Setting Up a Supervisor Password

To setup a supervisor password, follow the procedure as described:

1. Go to **APP Menu > Security > Account's Password Status**.
2. Tap the **Enter** icon next to **Setup the Supervisor Password** to access the virtual keyboard.

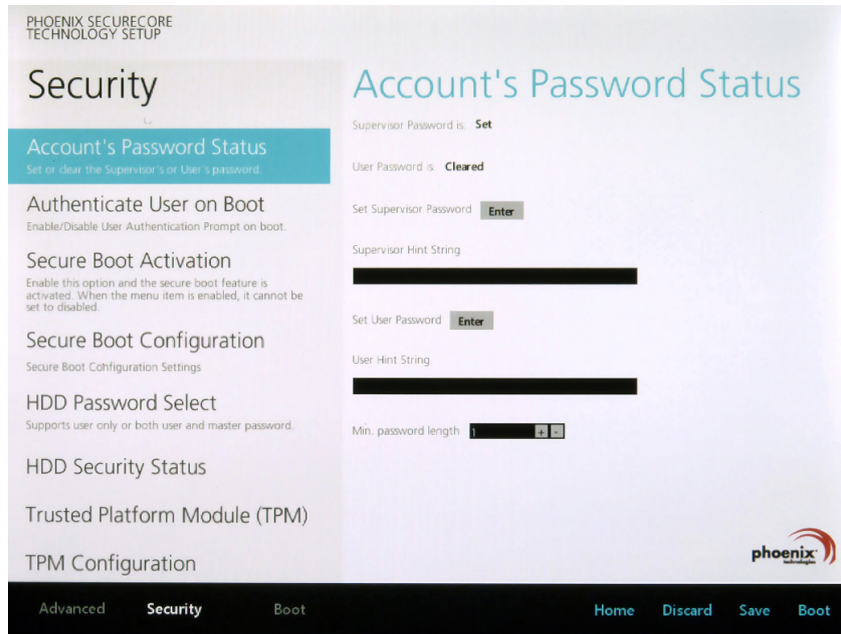


Figure 56. Security > Account's Password Status

3. Tap the password to use for the Supervisor profile and tap **Enter**.

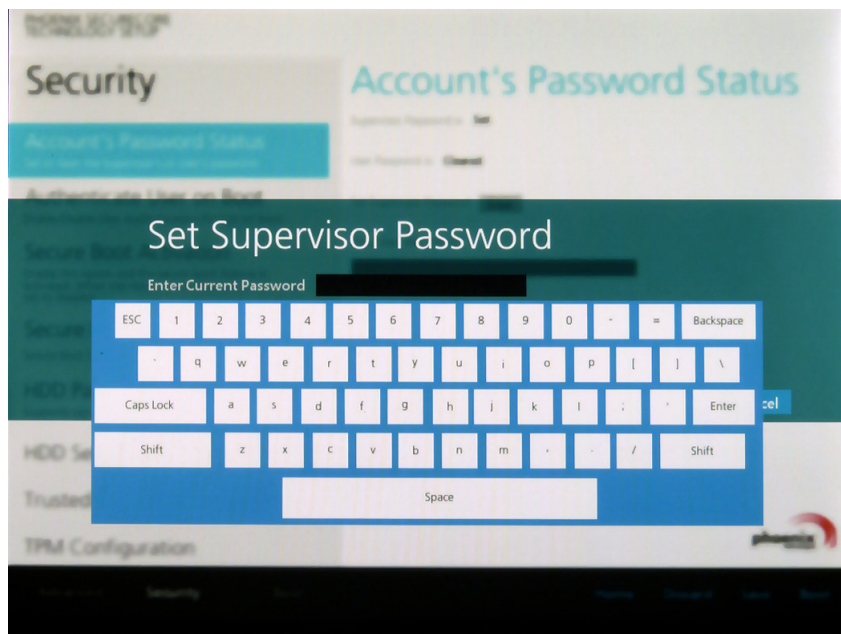


Figure 57. Set Supervisor Password

4. Verification of the password is required. Tap the same password again and tap **Enter** to confirm the new password.
5. Navigate to **APP Menu > Exit**.

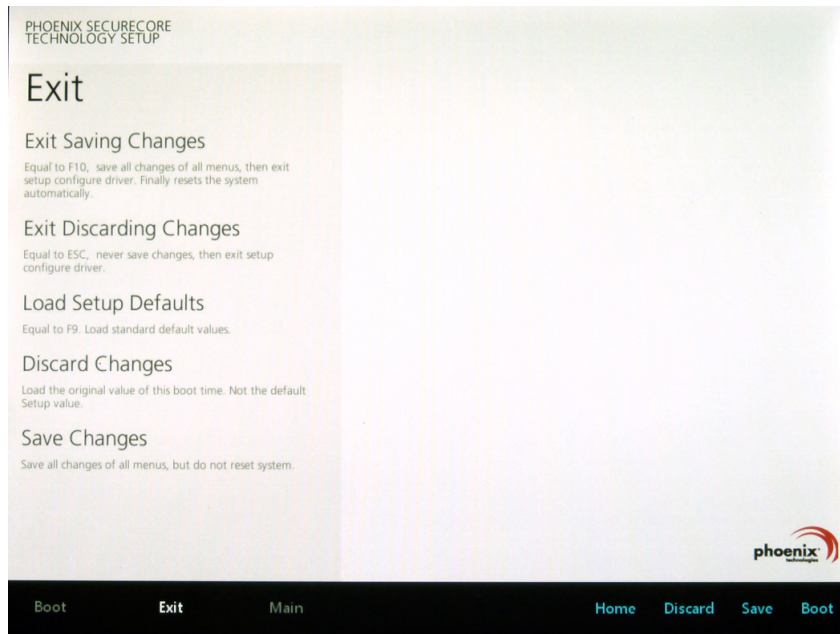


Figure 58. Exit Screen

6. Tap **Exit Saving Changes** to display the confirmation screen.
7. Tap **Yes** to save the new configuration settings.

After setting the Supervisor password, the password is required to access the BIOS Setup Utility.

Changing a Supervisor Password

1. Navigate to **APP Menu > Security > Account's Password Status**.
2. Tap the **Enter** icon next to **Setup Supervisor Password**.
3. Enter the current supervisor password.
4. Enter a new password.
5. Enter the new password again to confirm.
6. Go to **APP Menu > Exit**.
7. Tap **Exit Saving Changes** and tap **Yes** to save the configuration.

Resetting a Supervisor Password

A supervisor password can not be reset. In the event that you forget the supervisory password, you will need to reflash the BIOS to enter the BIOS menus. Refer to “*Updating BIOS*” on page 45 to reflash the BIOS.

06.05. EC and BIOS

Updating BIOS

This procedure allows you to update and reflash the system BIOS. Both procedures follow the same steps as described in the following.



Make sure to protect your device from power loss during the BIOS update procedure to prevent irreparable damage to your system's mainboard.

For this procedure, it is highly recommended to connect the device to the AC adapter to prevent a sudden loss of power during the BIOS updating process.

1. Contact your technical sales or technical representative to obtain the correct BIOS file.
2. Copy the BIOS file on to the USB device.
3. Connect the USB device to one of the device's USB ports and power on the KT-RT-I5.



A USB keyboard is required for entering command.

4. Once the device is on and the Windows 8 Home screen displays, open the Charms bar by sliding your finger inward from the screen's right edge. The Charms bar displays.
5. Tap **Settings** from the displayed menus.

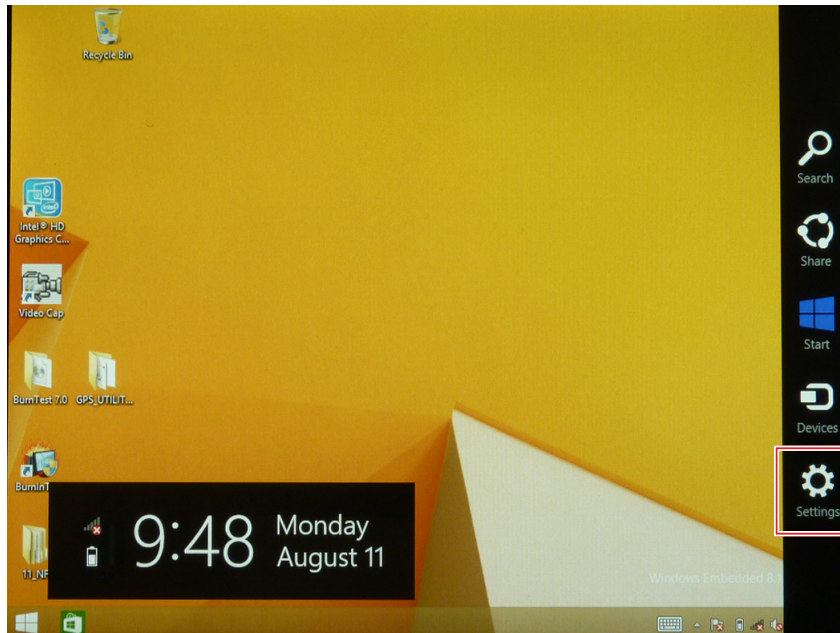


Figure 59. Charms Bar > Settings

6. Tap **Change PC settings**.

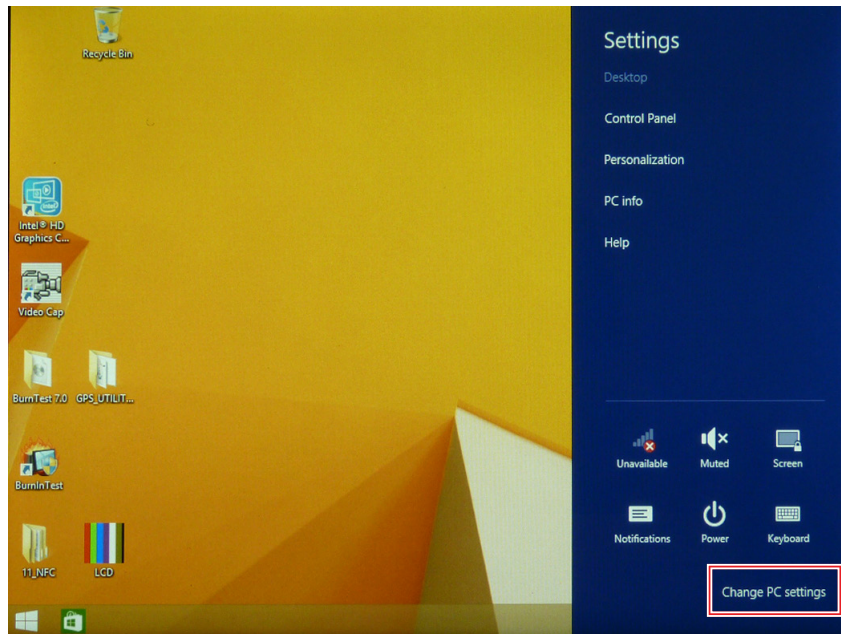


Figure 60. Change PC Settings

7. From the PC settings menu, tap **Update and recovery** to continue.

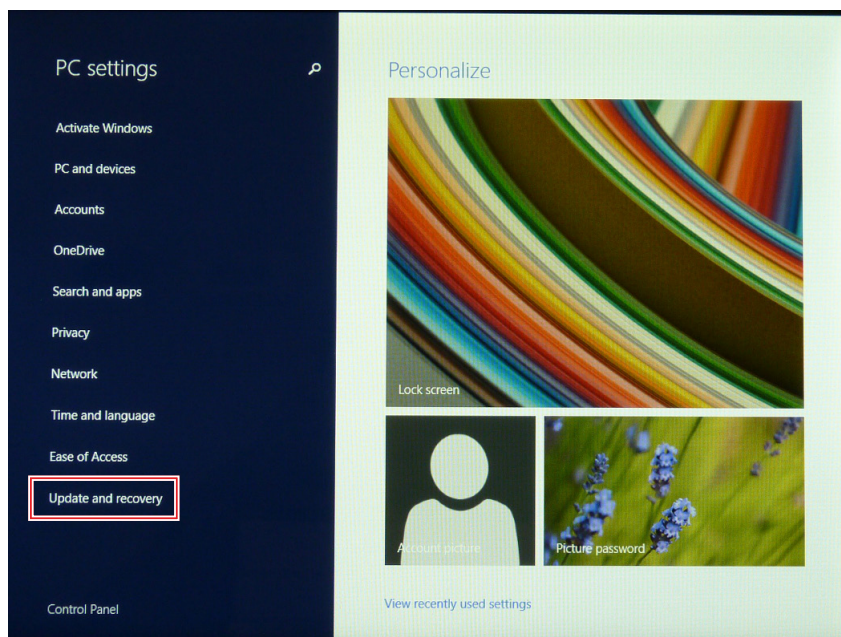


Figure 61. Update and Recovery

- From the **Update and recovery** screen, tap **Recovery**. The **Advanced startup** option displays.

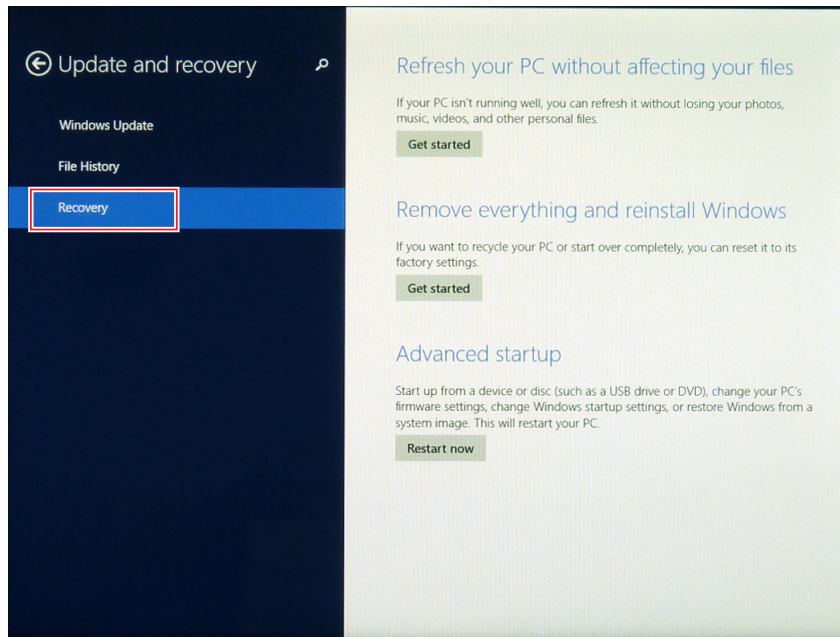


Figure 62. Recovery

- Under **Advanced startup**, tap **Restart now**.

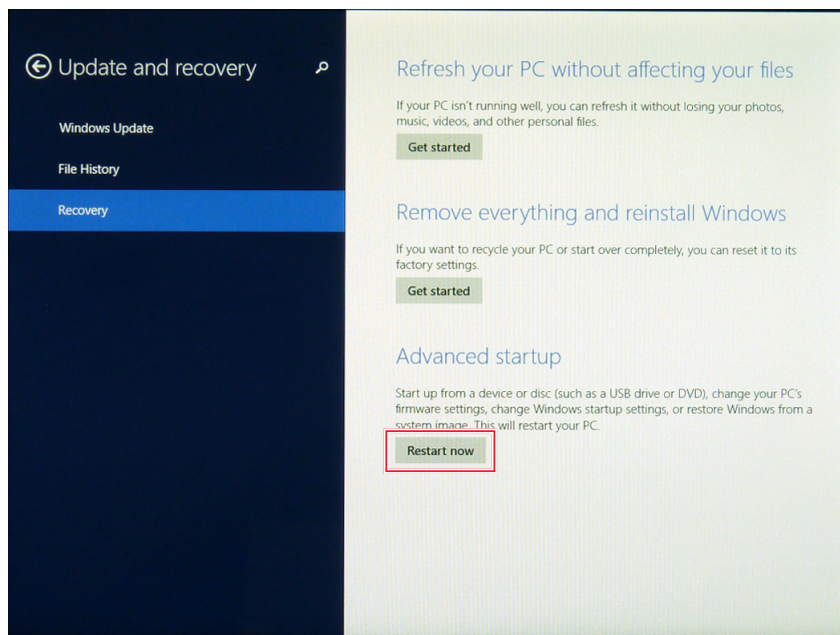


Figure 63. Restart Now

10. Tap **Use a device** to select a boot up preference.

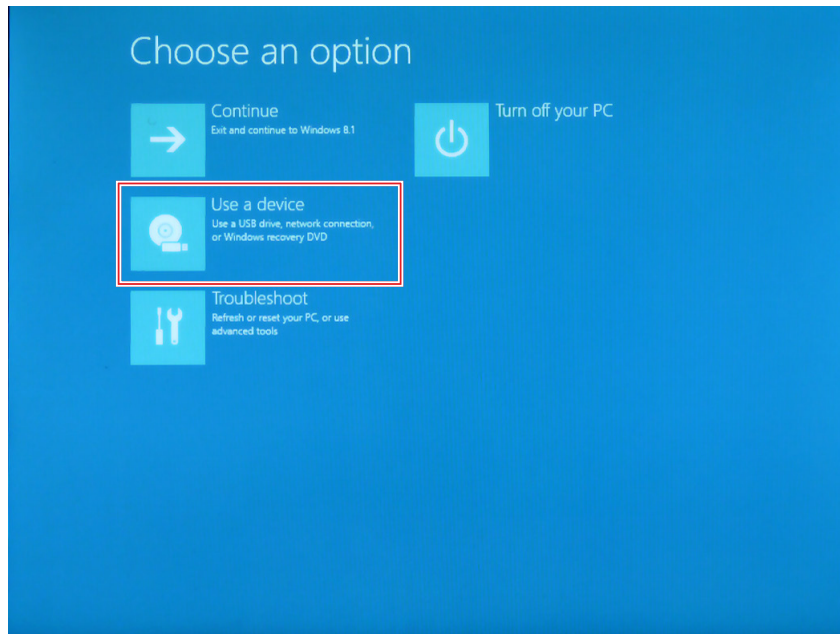


Figure 64. Use a Device

11. From the **Use a device** menu, tap **Internal Shell** to open the command screen.



Make sure connect the KT-RT-I5 to the AC adapter to prevent a sudden loss of power.

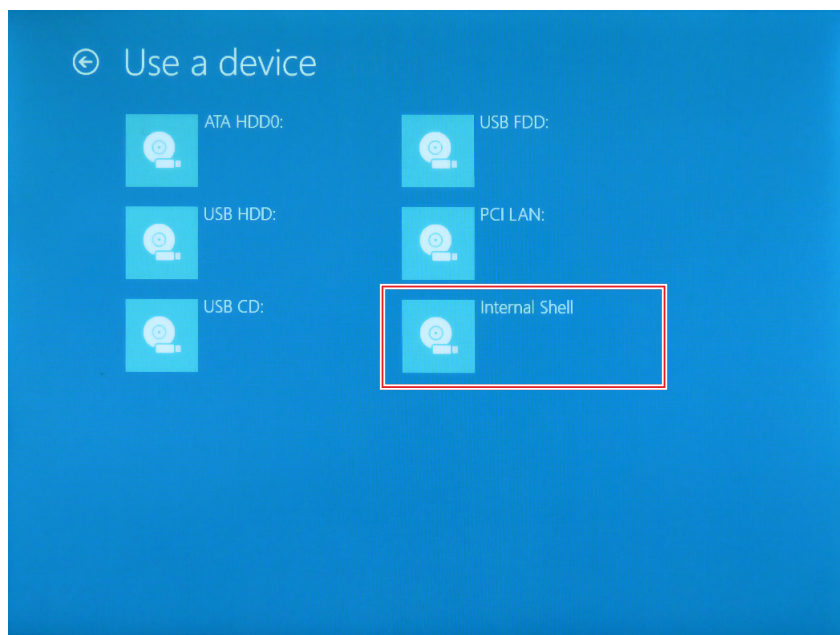


Figure 65. Internal Shell

- In the command screen, enter `fs1 :` to select the USB device already connected to the device. The command directs you to the USB device's root menu.

```
EFI Shell version 2.31 [4660.22136]
Current running mode 1.1.2
Device mapping table
fs0  :HardDisk - Alias hd19c blk0
      \pci (PNP0A03.0)/Pci (1310)/Sata (0,0,0)/HD (Part2.Sig632a7c85-549a-4a90-a1fc-809ca105bf3a)
fs1  :Removable BlockDevice - Alias f20a0 blk1
      \pci (PNP0A03.0)/Pci (1410)/Ush (0,0)
blk0 :HardDisk - Alias hd19c fs0
      \pci (PNP0A03.0)/Pci (1310)/Sata (0,0,0)/HD (Part2.Sig632a7c85-549a-4a90-a1fc-809ca105bf3a)
blk1 :Removable BlockDevice - Alias f20a0 fs1
      \pci (PNP0A03.0)/Pci (1410)/Ush (0,0)
blk2 :HardDisk - Alias (null)
      \pci (PNP0A03.0)/Pci (1310)/Sata (0,0,0)/HD (Part1.Sig4BE671EF-27a4-4990-8B03-86836FBBaEa7)
blk3 :HardDisk - Alias (null)
      \pci (PNP0A03.0)/Pci (1310)/Sata (0,0,0)/HD (Part3.SigE75F2a22-F220-419B-BEC2-A05D73a37FC6)
blk4 :HardDisk - Alias (null)
      \pci (PNP0A03.0)/Pci (1310)/Sata (0,0,0)/HD (Part4.Sig2CED075B-5200-4BC6-B761-0965185Ea9B4)
blk5 :BlockDevice - Alias (null)
      \pci (PNP0A03.0)/Pci (1310)/Sata (0,0,0)

Press ESC in 1 seconds to skip startup.nsh, any other key to continue.
Shell> _
```

Figure 66. Internal Shell Command Screen

- If the BIOS file is in a folder and not in the root directory, navigate to the target folder.
- Type `wf (.nsh)` and tap Enter. `wf` is the designated BIOS file.
Do not turn off your device or interfere with the reflash process until the process is complete.
- Once the process is complete, the KT-RT-I5 automatically reboots.

The BIOS is now updated.

Updating EC



Connect the KT-RT-I5 to the AC adapter to prevent a sudden loss of power.

- Updating EC requires the use of the Internal Shell Command menu, refer to steps 1 to 12 of “Updating BIOS”.
- Enter the EC source file folder.
- In the source folder, enter `ef`.
- Do not turn off your device or interfere with the reflash process until the process is complete.
The system reboots once the process is completed.

07/ Using the KT-RT-Control Utility

07.01. Overview

The KT-RT-Control resident program is designed to provide near-instant access to your device's settings and configuration within a single, easy to use interface.

The following information illustrates and describes the various settings available for configuration through the KT-RT-Control menus.

Important: Do not terminate or remove the KT-RT-Control program manually or the ambient light sensor and the function buttons will be malfunction.

Download the latest information and documentation through the Kontron official site:

<http://www.kontron.com>



Figure 67. KT-RT-Control Overview

| Function | Description |
|--------------------|---|
| EXIT | Minimize KT-RT-Control and return to the desktop. |
| Button Lock | Lock or unlock all the physical buttons except Power button. |
| Screen Auto Rotate | Disable or enable screen auto rotate function. |
| Airplane | Turn on or off the airplane mode. |
| Battery | Shows the battery level or charging status. |
| Brightness | Adjust brightness level and enable or disable auto brightness function. |
| Volume Control | Adjust volume level and enable or disable mute function. |
| GNSS | Disable or enable GNSS function. |
| Wi-Fi | Disable or enable Wi-Fi function. |
| Bluetooth | Disable or enable Bluetooth function. |
| Mobile Broadband | Disable or enable mobile broadband function. |

| Function | Description |
|---------------------|--|
| Touch Screen Lock | Lock or unlock the touch screen. |
| ECO Mode | Disable or enable ECO mode to save battery life when using the device. |
| Power Plan | Manage how your tablet uses power. |
| Info Viewer | View system specifications. The menu is for display only. |
| Display Switch | Choose a display mode when connect to another output device. |
| Pass-through Switch | Switch the usage of internal antenna or external antenna on vehicle docking. |
| Button Setting | Pre-defined functions settings. Supports function button customizing. |

08/ Troubleshooting

Use the troubleshooting tables in this section to fix problems with the Wi-Fi connection, 802.1x security, or general problems with operating the computer.



If you send the computer in for service, it is your responsibility to save the computer data and configuration. Kontron is responsible only for ensuring that the hardware matches the original configuration when repairing or replacing the computer.

08.01. Troubleshoot the Wi-Fi Connection

Use this troubleshooting table to help solve problems with your 802.11 radio connection.

- Q.** When you turn on the computer after it was suspended for a while (10 to 15 minutes or longer), it can no longer send or receive messages over the network.
- A.** Host may have deactivated or lost current terminal emulation session. In a TCP/IP direct connect network, turn off the “Keep Alive” message from host to maintain the TCP session while the computer is suspended.
- Q.** The computer is connected to the network and you move to a new site to collect data. Your computer now shows you are not connected to the network.
- A.** Move closer to an access point or to a different location to reestablish communications until you reconnect with the network.
- Q.** The computer appears to be connected to the network, but you cannot establish a terminal emulation session with the host computer.
- A.** There may be a problem with the host computer, or with the connection between the access point and the host computer. Check with the network administrator to make sure the host is running and allowing users to log in to the system.
- Q.** The computer appears to be connected to the network, but the host computer is not receiving any information from the computer.
- A.** There may be a problem with the connection between the access point and the host computer. Check with the network administrator or use your access point user’s manual.
- Q.** A network connection icon appears in the toolbar, but then disappears.
- A.** The computer may not be communicating with the intended access point. Make sure the network name matches the access point network name. The access point may not be communicating with the server. Ensure the access point is turned on, properly configured, and has 802.1x security enabled.

08.02. Troubleshoot Operating the Computer

Use this section to troubleshoot problems that may prevent you from being able to operate the computer.

Q. You press the Power button and nothing happens.

A. Make sure that power is connected to the computer.

Q. The computer appears to be locked up and you cannot enter data.

A. Restart the computer.

08.03. Call Product Support

Simple instructions please contact the dealer, contact Kontron representative, or leave a message visit the Kontron website at www.kontron.com.

To better assist you have the following information ready:

- Configuration number
- Serial number
- Operating system, BIOS, and MCU versions
- Service pack version
- System component versions
- If you are using security, know the type and the full set of parameters

09/ Maintenance

09.01. Cleaning the Device



Danger to electric shock when cleaning or maintaining the KT-RT-I5.

To avoid electric shock, turn the KT-RT-I5 off and disconnect it from the power supply before cleaning or maintaining it.

Housing

- The housing of the KT-RT-I5 is best cleaned with a damp cloth.
- Use compressed air, a high-pressure cleaner or vacuum cleaner may damage the surface.
- Use a high-pressure cleaner, the additional risk of water entering the KT-RT-I5 may damage the electronics or touch screen.

Touch Screen

- Use neutral detergent or isopropyl alcohol on a clean soft cloth to clean the panel surface.
- Prevent using any kind of chemical solvent, acidic or alkali solution.

09.02. Returning the Device

Please put the contents in the original package gently when you need to return the KT-RT-I5.

09.03. Contacting Kontron

If you experience technical difficulties, please consult your distributor or contact the technical services department:

<http://www.kontron.com>



About Kontron

Kontron, a global leader in embedded computing technology and trusted advisor in IoT, works closely with its customers, allowing them to focus on their core competencies by offering a complete and integrated portfolio of hardware, software and services designed to help them make the most of their applications.

With a significant percentage of employees in research and development, Kontron creates many of the standards that drive the world's embedded computing platforms; bringing to life numerous technologies and applications that touch millions of lives. The result is an accelerated time-to-market, reduced total-cost-of-ownership, product longevity and the best possible overall application with leading-edge, highest reliability embedded technology

Kontron is a listed company. Its shares are traded in the Prime Standard segment of the Frankfurt Stock Exchange and on other exchanges under the symbol "KBC". For more information, please visit: www.kontron.com



CORPORATE OFFICES

EUROPE, MIDDLE EAST & AFRICA

Lise-Meitner-Str. 3-5
86156 Augsburg
Germany
Tel.: +49 821 4086-0
Fax: +49 821 4086-111
info@kontron.com

NORTH AMERICA

14118 Stowe Drive
Poway, CA 92064-7147
USA
Tel.: +1 888 294 4558
Fax: +1 858 677 0898
info@us.kontron.com

ASIA PACIFIC

1~2F, 10 Building, No. 8 Liangshuihe 2nd Street,
Economical & Technological Development Zone,
Beijing, 100176, P.R. China
Tel.: +86 10 63751188
Fax: +86 10 83682438
info@kontron.cn